

零部件图册



SY235C9I2K(SKD)液压挖 掘机

设备编号 12SY023673808

前言

本图册适用于普通用户设备保养、配件查询与采购,维修工程师等工程技术人员参考。

本图册分图片页和明细页,严格按照上图下表格式排版.在多图多表的情况下,可能出现图表重复或者一个部件拆分为N张(1/N,2/N,3/N)等情况,查阅时请注意。

本图册由三一重机自主设计与编排,因产品设计的不断改良和升级,可能造成本图册中某些信息与您的设备不同。如果您对设备或图册有疑问,请向购买设备的代理商或最近的三一重机授权代理商询问。

《零件图册》有关详细内容和下载方式可登录三一全球客户门户(Sany Global Customer Portal,简称GCP)

网站查询: <http://gcp.sany.com.cn>

导 读

请将本图册放在机器的驾驶室内，以便随时查阅。

本图册规定：工作装置侧为前，发动机侧为后，驾驶室侧为左，相对一侧为右。对于下车，行走马达侧为后。

一 如何查询设备及零部件

1. 登陆三一全球客户门户：<http://gcp.sany.com.cn>



另外在登录主页中直接输入设备出厂编号查询, 点击产品资料可以下载相关的PDF格式技术资料。

2. 订购零部件时，请详细注明下列示例中的各项条款：

示例

- | | | |
|------------------|-----------------|--------------------------|
| (1)识别码 | (2-7-7) | (查询本图册明细页识别码列) |
| (2)机型 | (SY205C8) | (查询本图册扉页或者驾驶室右下方回转平台的铭牌) |
| (3)出厂编号 | (08SY02112602) | (查询本图册扉页或者驾驶室右下方回转平台的铭牌) |
| (4)零件代码 | (B230101000215) | (查询图册明细页零件代码列) |
| (5)名称 | (O形圈) | (查询图册明细页名称列) |
| (6)数量 | (5) | (查询图册明细页数量列或者订购者决定) |
| (7)订购者姓名、地址和联系方式 | | |

二 如何使用零件图册

图表	打开此零件图册后，在上侧的页面(偶数页)用图表示产品安装的零件，在图上标有各种零件的索引号码。在下侧的页面(奇数页)以列表的形式表示上图零件的识别码、序号、零件代码、数量和名称。
识别码	表示该零件的独立识别编码，由图册页码和序号组成，它必须与机器出厂编号同时使用。 例如：2-3-16,表示页码为2-3，序号为16的零件。
序号	与图的索引号码一致，按索引号码顺序编制为表格形式。
零件代码	此栏所示的是图示零件的物料代码，它是在订货时需要标明的特定代号，是非常重要的。若在此栏出现“变更或见其他配置”的字样,请在图册最后的“其他配置”章节查询最终的零件代码。
名称	表示与代码相对应的零件名称。
数量	表示一台机器所用的零件数量，但对于装配(总成)部件则表示组成一个部件的零件数量。

Introduction

The Parts Book is used for maintaining the machine, looking for a part and placing an order by common users and as a reference for technical personnel such as service engineer.

The Parts Book is composed of component drawings followed by parts list. Please be noted that a drawing may appear repeatedly or be divided into N pieces (illustrated as 1/N, 2/N, 3/N, etc.) In case of multiple drawings and parts lists.

The Parts Book is designed and compiled by Sany. Due to continuous improvement and updating in product design, some information in the book may be different from your machine. If you have any question about your machine or Parts Book, please consult your Sany distributor or local Sany distributor.

For details and download method of the Parts Book you can log on Sany Global Customer Portal (GCP) on the following website:

Our website: <http://gcp.sany.com.cn>

Sany Heavy Machinery Limited

Guide

Keep the Parts Book in the cab for you to refer to at any time.

In this book the work equipment side is FRONT, the engine side is REAR, the cab side is LEFT and the opposite side is RIGHT. For undercarriage, the travel motor side is REAR.

I. How to look for a component or part.

1. Log on Sany Global Customer Portal at <http://gcp.sany.com.cn>.



You can also enter machine manufacture number on the logon page to access product information. Click product information to download technical publication in PDF format.

2. The following information must be specified when you order a part.

	Sample	
(1) IC	(2-7-7)	(See the identification code on the page of parts list.)
(2) Model Number	(SY205C8)	(See the leading page of the Parts Bok or the nameplate on revolving frame under cab.)
(3) Factory No.	(08SY02112602)	(See the leading page of the Parts Bok or the nameplate on revolving frame under cab.)
(4) Part Number	(B230101000215)	(See the column of Part Number on the parts list page.)
(5) Part Name	(O-ring)	(See the column of Part Name on the parts list page.)
(6) QTY	(5)	(See the quantity recommended on the parts list page or make your own decision.)
(7) Buyer's name, address and contact		

II. How to use the Parts Book

DIAGRAM	Opening the Parts Book you will see a drawing on the upper page (with even page number), on which there are callouts used to identify the parts and components. The lower page (with odd page number) contains identification codes, serial numbers, part numbers, quantity and part names presented in a table.
IC	The only identification code of a part, which consists of page number and serial number, and must be used together with machine manufacture number. For example, 2-3-16 indicates the 16th part on page 2-3.
INDEX	Identical to the index number of drawing and presented in the form of table in a sequence of index numbers.
PART NUMBER	The code of part shown in the drawing, which is very important as it is the specific code used for order. If you see the words "Changed" or "See other configuration", please find final code of the part in Other Configuration at end of the Book.
PART NAME	Name of a part corresponding to the part number.
QTY	The number of parts used on the machine. But for an assembly it means the number of parts used on the assembly.

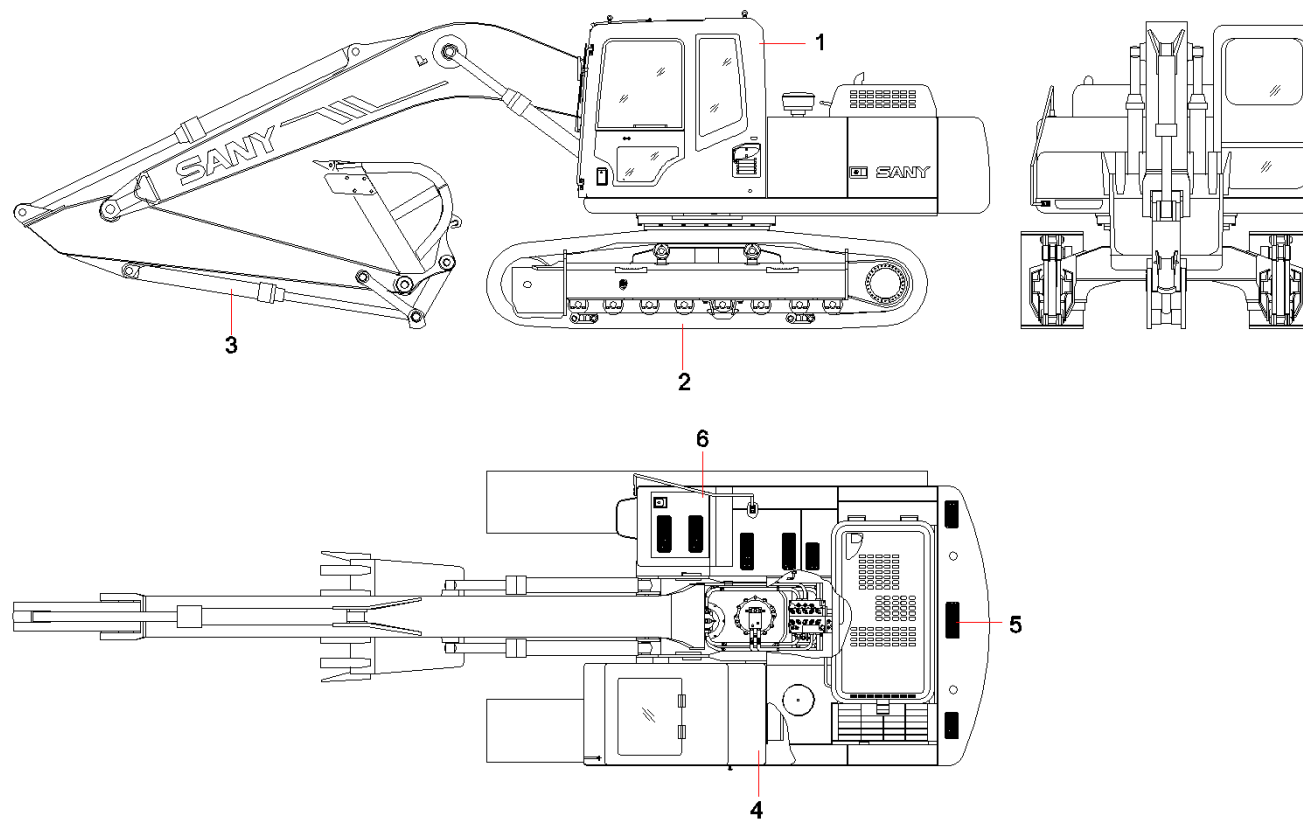
目录 INDEX

第1章 SY235C9液压挖掘机(Hydraulic Excavator)	1-1
12704362 SY235C9液压挖掘机(Hydraulic Excavator)	1-2
第2章 行走装置(travel deviceSY235C9I2K(SKD).2)	2-1
12702378 行走装置(travel deviceSY235C9I2K(SKD).2)	2-2
10398371 密封组件(Seal AS)	2-12
A229900008843 引导轮(Idler)	2-14
A229900006383 张紧装置(Tensioner)	2-16
12168856 托链轮总成(Roller As, carrier)	2-18
10999958 支重轮总成(Roller AS, track)	2-20
B220501000267 减速机总成(Reducer GP)	2-22
60181099 液压马达(Hydraulic Motor AS)	2-24
60181098 减速机(Reducer)	2-34
A229900001758 回转接头(Joint, swivel)	2-38
第3章 工作装置(Work equipment)	3-1
12708901 工作装置(Work equipment)	3-2
12708891 工作装置管路(Pipeline, work equipment)	3-10
60027481 铲斗油缸(Cylinder, bucket)	3-14
60027483 斗杆油缸(Cylinder, arm)	3-18
60027482 动臂油缸(Cylinder, boom)	3-22
11437255 工作装置润滑管路(Pipeline, greasing, work equipment)	3-26

12055429 1.12方岩石铲斗(Bucket)	3-28
第4章 电气系统(Electrical system)	4-1
12709664 电气系统(Electrical system)	4-2
第5章 涂装(CoatingSY235C9I2K(SKD)-TZ)	5-1
12702764 涂装(CoatingSY235C9I2K(SKD)-TZ)	5-2
第6章 随机附件(Attached accessoriesSY235C9I2K(SKD).6A)	6-1
12709572 随机附件(Attached accessoriesSY235C9I2K(SKD).6A)	6-2
10442741 随机工具(Tool, attached)	6-6
A229900007607 万向接头(Joint, universal)	6-12
A290000001155 手提工具箱(Toolbox, portable)	6-14
第7章 其他配置(Other Fittings)	7-1
60122069 驾驶室(Cab)	7-2

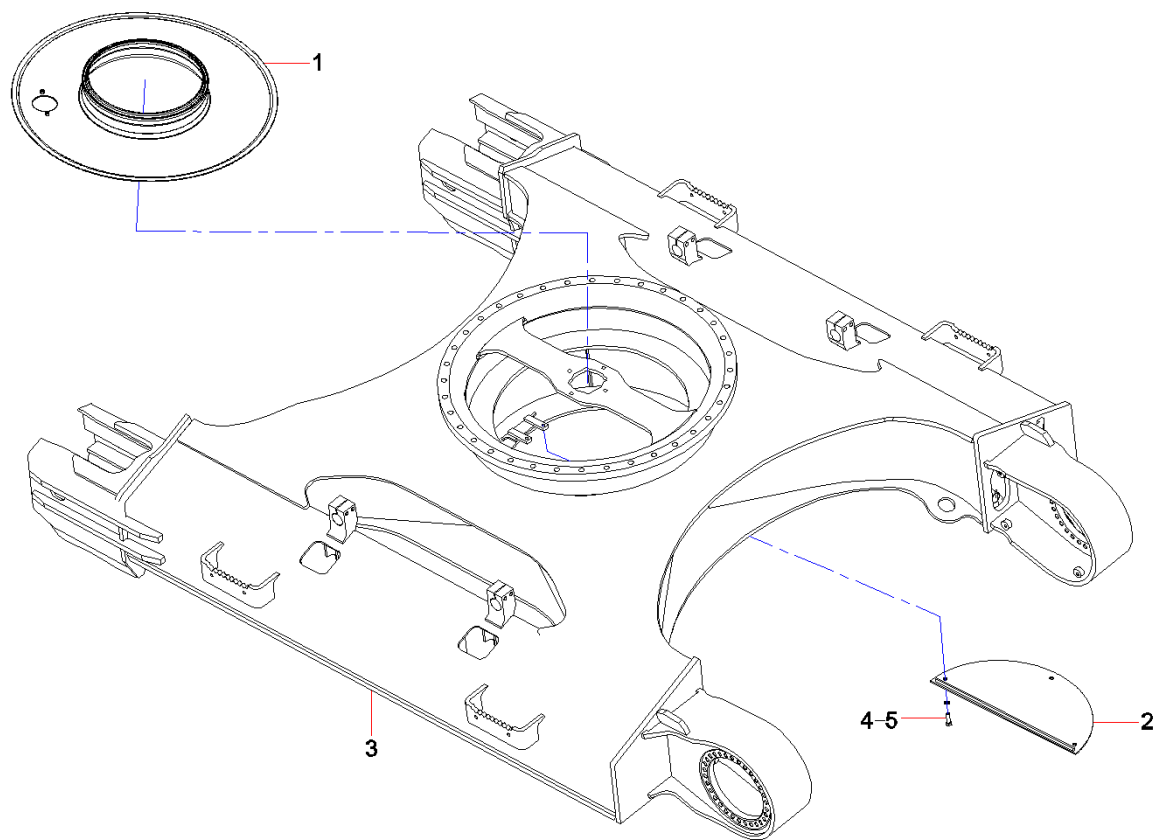
第1章

SY235C9液压挖掘机 (Hydraulic Excavator)



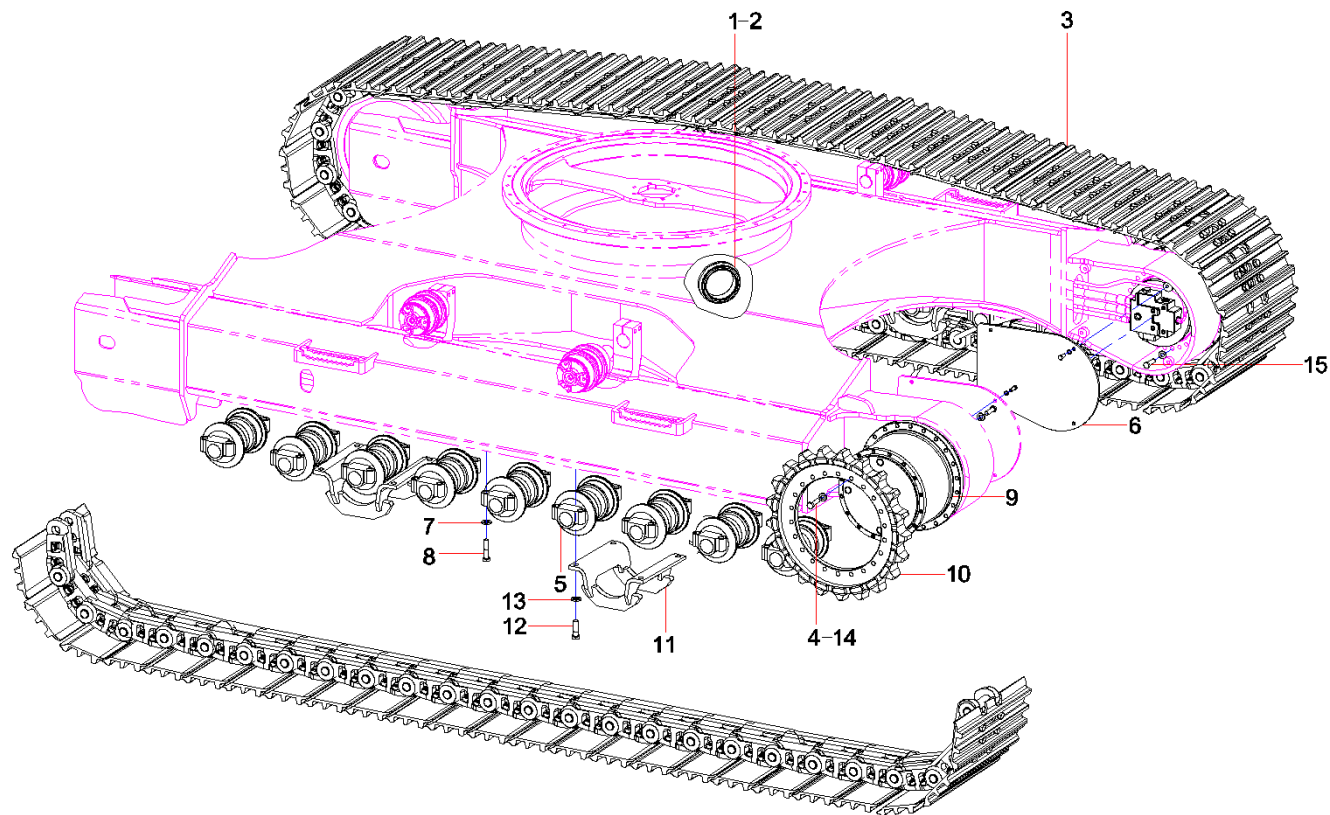
识别码 IC	序号 INDEX	零件代码 PART NUMBER	数量 QTY	名称 PART NAME	
1-3-1	1	变更或见其他配置	1	回转装置	Slewing device
1-3-2	2	12702378	1	行走装置	travel deviceSY235C9I2K(SKD).2
1-3-3	3	12708901	1	工作装置	Work equipment
1-3-4	4	12709664	1	电气系统	Electrical system
1-3-5	5	12702764	1	涂装	CoatingSY235C9I2K(SKD)-TZ
1-3-6	6	12709572	1	随机附件	Attached

第2章
行走装置
(travel deviceSY235C9I2K(SKD).2)

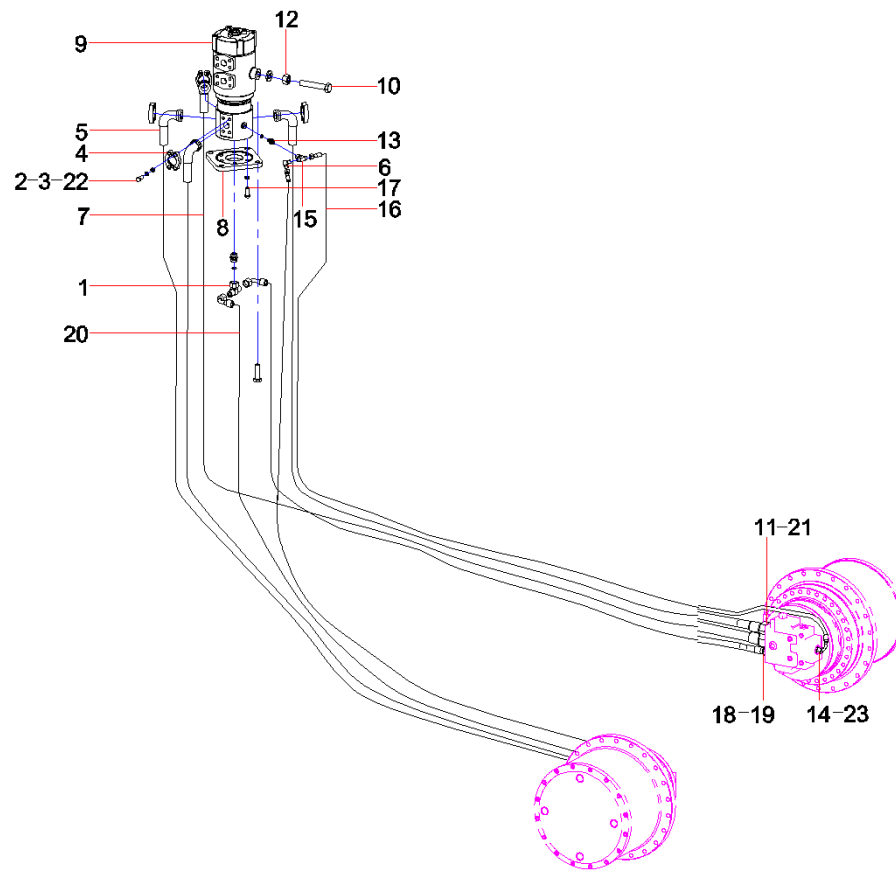


识别码 IC	序号 INDEX	零件代码 PART NUMBER	数量 QTY	名称 PART NAME	
2-3-1	1	10398371	1	密封组件	Seal AS
2-3-2	2	10131971	2	盖板总成	Coverplate GP
2-3-3	3	11920028	1	履带架	Frame, track
2-3-4	4	A210111000202	20	螺栓	螺栓
2-3-5	5	A210401000002	22	垫圈	Washer

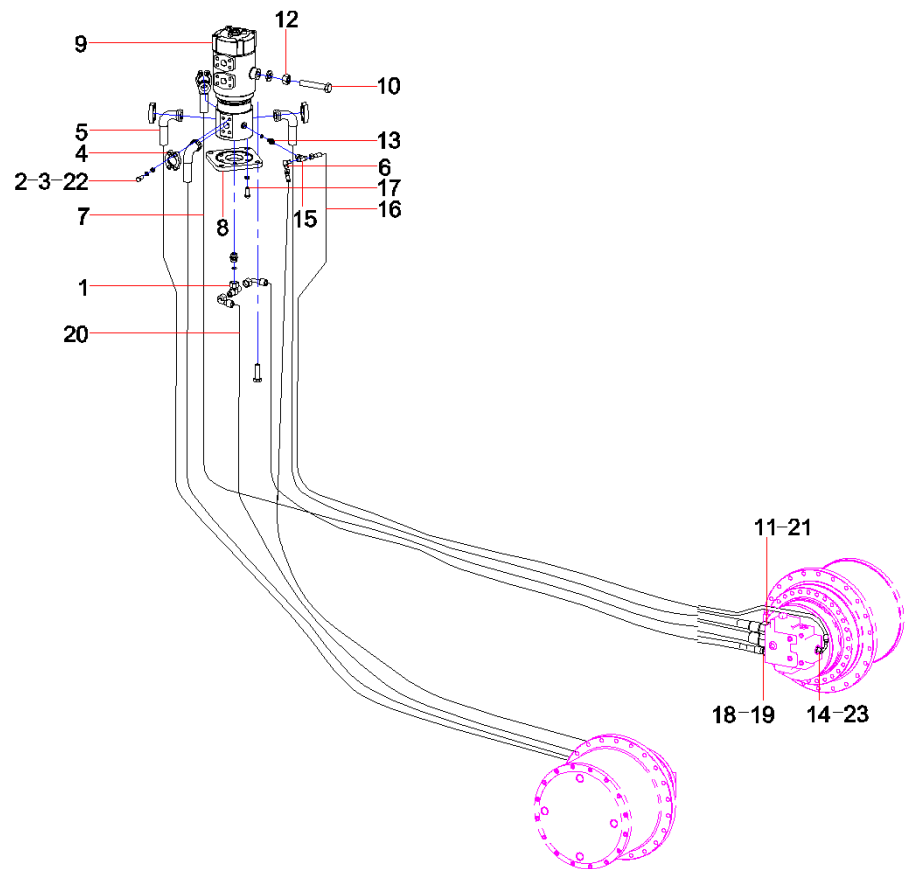
识别码 IC	序号 INDEX	零件代码 PART NUMBER	数量 QTY	名称 PART NAME	
2-5-1	1	60193180	2	引导轮	Leading wheel assembly
2-5-2	2	A210111000054	8	螺栓	BOLT
2-5-3	3	A210491000118	68	垫圈	Washer
2-5-4	4	A229900006383	2	张紧装置	Tensioner
2-5-5	5	A210111000101	2	螺栓	Bolt
2-5-6	6	A210111000347	8	螺栓	Bolt
2-5-7	7	B229900000862	2	黄油阀	Valve, grease
2-5-8	8	A820101010372	2	支板	Plate, support
2-5-9	9	12168856	4	托链轮总成	Roller As, carrier



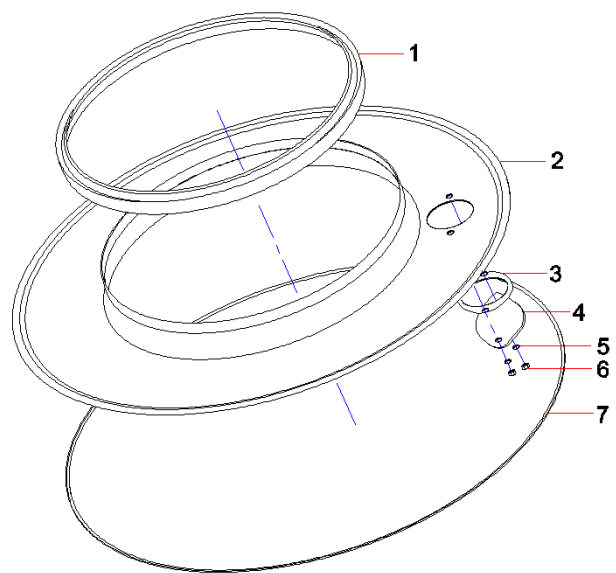
识别码 IC	序号 INDEX	零件代码 PART NUMBER	数量 QTY	名称 PART NAME	
2-7-1	1	A820606030361	2	护套	Sheath
2-7-2	2	A239900000066	10	尼龙扎带	Strap, nylon (black)
2-7-3	3	12234748	2	履带总成	crawler assemblySTC190MB-6049
2-7-4	4	60052677	60	螺栓	Bolt
2-7-5	5	10999958	18	支重轮总成	Roller AS, track
2-7-6	6	A820101116020	2	马达盖板	Coverplate, motor
2-7-7	7	A210491000144	72	垫圈	Washer
2-7-8	8	A210110000307	72	螺栓	Bolt
2-7-9	9	B220501000267	2	减速机总成	Reducer GP
2-7-10	10	11221884	2	驱动轮	Sprocket
2-7-11	11	A810401990037	4	护板	Board, guard
2-7-12	12	A210111000221	16	螺栓	SCREW
2-7-13	13	A210491000132	17	垫圈	垫圈
2-7-14	14	21001338	60	垫圈	Washer
2-7-15	15	60197801	60	螺栓M16×60DIN931 12.9级	Bolt



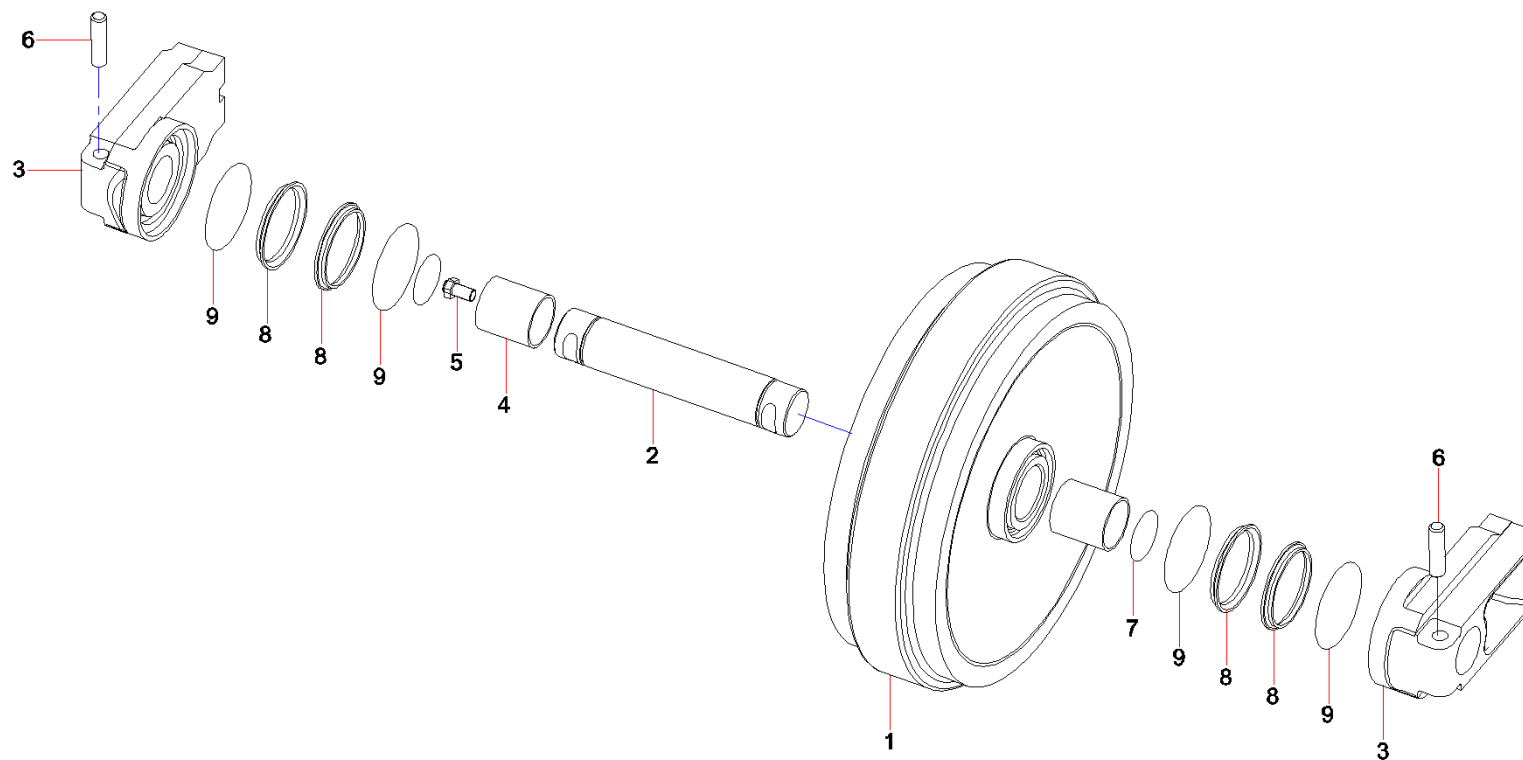
识别码 IC	序号 INDEX	零件代码 PART NUMBER	数量 QTY	名称 PART NAME	
2-9-1	1	B210780000413	1	管接头	Connector, pipe
2-9-2	2	A210204000354	16	螺钉	Screw
2-9-3	3	A210433000016	16	垫圈	Washer
2-9-4	4	B210780000244	8	对开法兰	Flange, split
2-9-5	5	B230103002701	2	胶管	Hose
2-9-6	6	B210780000418	1	管接头	Connector, pipe
2-9-7	7	B230103003016	2	胶管	Hose
2-9-8	8	A820101212141	1	过渡板	Plate, transition
2-9-9	9	60211869	1	回转接头	Center Swivel Joint
2-9-10	10	A210110000233	1	螺栓	Bolt
2-9-11	11	A820205000834	4	G1-M36接头	Connector
2-9-12	12	A210307000029	1	螺母M20GB6170-00 10级	NUT
2-9-13	13	A820205000844	1	接头	Connector
2-9-14	14	B230101000047	3	O形圈	O-ring
2-9-15	15	B210780000172	1	管接头	Connector, pipe
2-9-16	16	B230103002473	2	胶管	Hose
2-9-17	17	A210111000212	4	螺栓	Bolt
2-9-18	18	A820205000843	3	接头	Connector
2-9-19	19	B230101000090	3	O形圈	O-ring
2-9-20	20	B230103000284	2	胶管	Hose



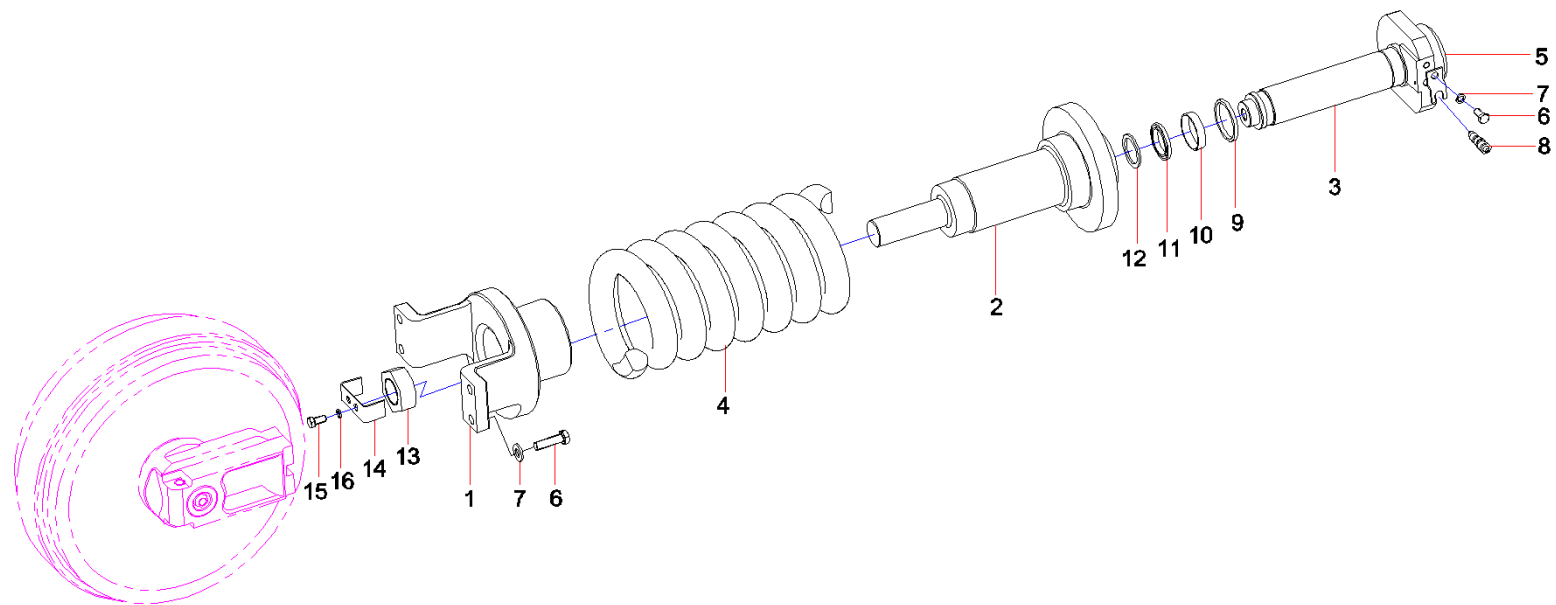
识别码 IC	序号 INDEX	零件代码 PART NUMBER	数量 QTY	名称 PART NAME	
2-11-21	21	B230101000050	4	O形圈	O-ring
2-11-22	22	A210401000001	8	垫圈	垫圈
2-11-23	23	60203001	2	单向节流阀	One-Way Throttle



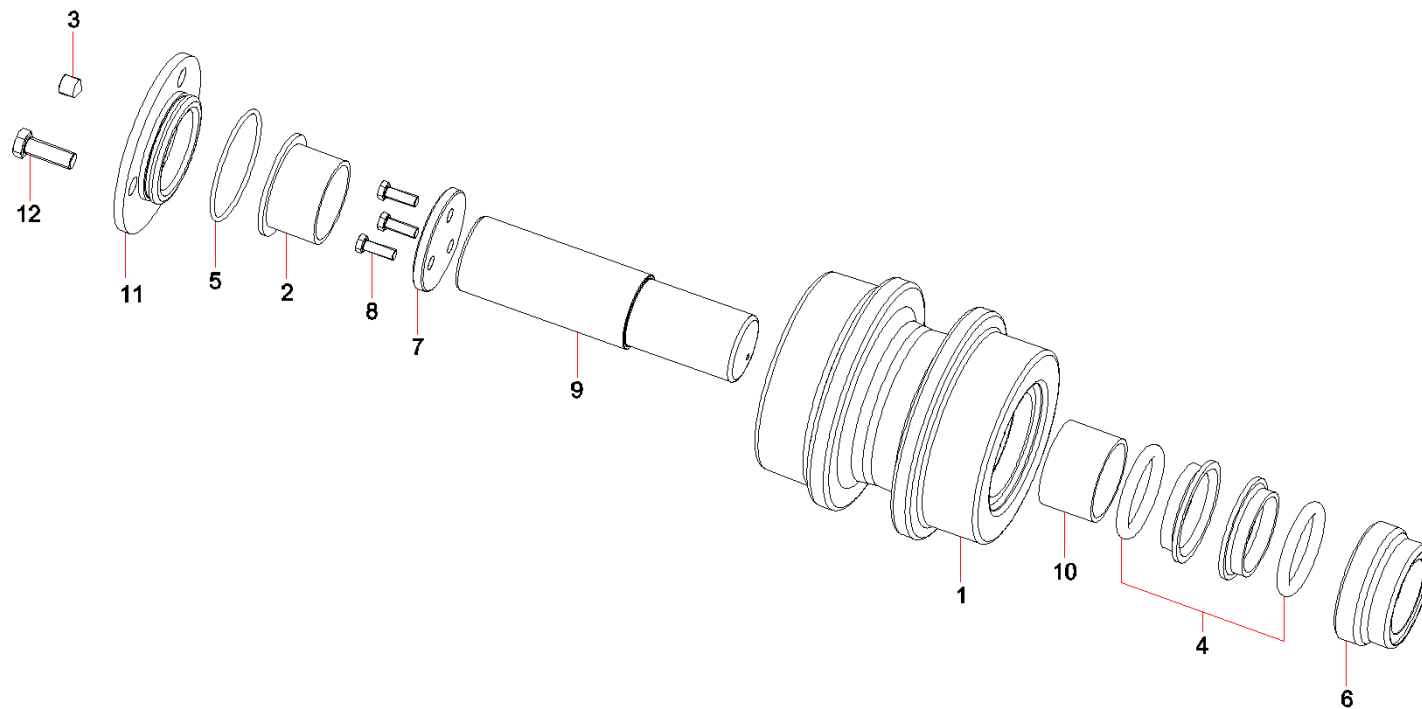
识别码 IC	序号 INDEX	零件代码 PART NUMBER	数量 QTY	名称 PART NAME	
2-13-1	1	10218932	1	上密封圈	Ring, sealing
2-13-2	2	10398084	1	护圈	Ring, protective
2-13-3	3	A820606020170	1	胶垫	Block, rubber
2-13-4	4	A820101210192	1	密封板	Plate, sealing
2-13-5	5	A210405000011	2	垫圈	垫圈
2-13-6	6	A210307000017	2	螺母	Nut
2-13-7	7	A820606020169	1	下密封圈	Ring, sealing



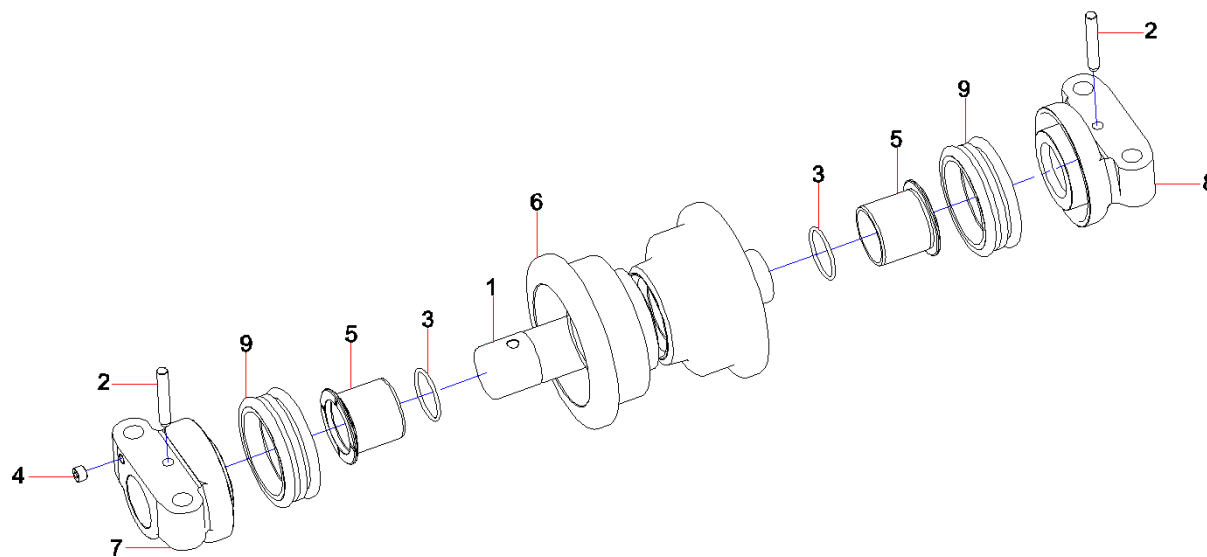
识别码 IC	序号 INDEX	零件代码 PART NUMBER	数量 QTY	名称 PART NAME	
2-15-1	1	60047974	1	引导轮	Wheel, idler
2-15-2	2	60047975	1	引导轮轴	Body, idler wheel
2-15-3	3	60047978	2	支座	Support
2-15-4	4	60047982	2	轴套	Sleeve, shaft
2-15-5	5	60047967	1	螺塞	Plug, screw
2-15-6	6	60047972	2	销	Pin
2-15-7	7	60047987	2	O形圈	O-ring
2-15-8	8	60047993	4	浮动油封	Seal, oil
2-15-9	9	60047986	4	O形圈	O-ring



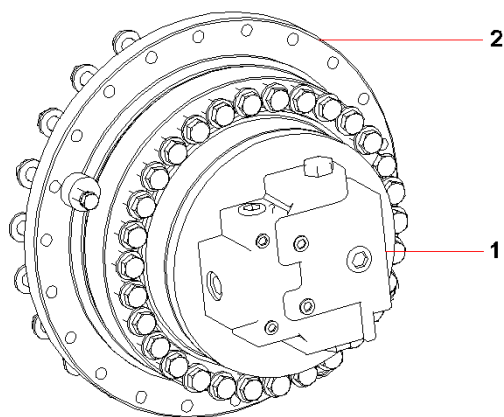
识别码 IC	序号 INDEX	零件代码 PART NUMBER	数量 QTY	名称 PART NAME	
2-17-1	1	60047943	1	叉环	Mount, connecting
2-17-2	2	60047976	1	油缸	Cylinder
2-17-3	3	60047981	1	轴	Shaft
2-17-4	4	60047952	1	弹簧	Spring
2-17-5	5	A820101010372	1	支板	Plate, support
2-17-6	6	A210111000054	10	螺栓	BOLT
2-17-7	7	A210491000118	10	垫圈	Washer
2-17-8	8	B229900000862	1	黄油阀	Valve, grease
2-17-9	9	60047992	1	防尘圈	Ring, dust
2-17-10	10	60047946	1	磨损修正圈	Ring, wear correction
2-17-11	11	60047995	1	密封圈	Ring, sealing
2-17-12	12	60047955	1	挡圈	Ring, retaining
2-17-13	13	60047966	1	螺母	Nut
2-17-14	14	60047950	1	锁片	Plate, lock
2-17-15	15	A210110000162	4	螺栓	Bolt
2-17-16	16	10132662	4	垫圈	Washer



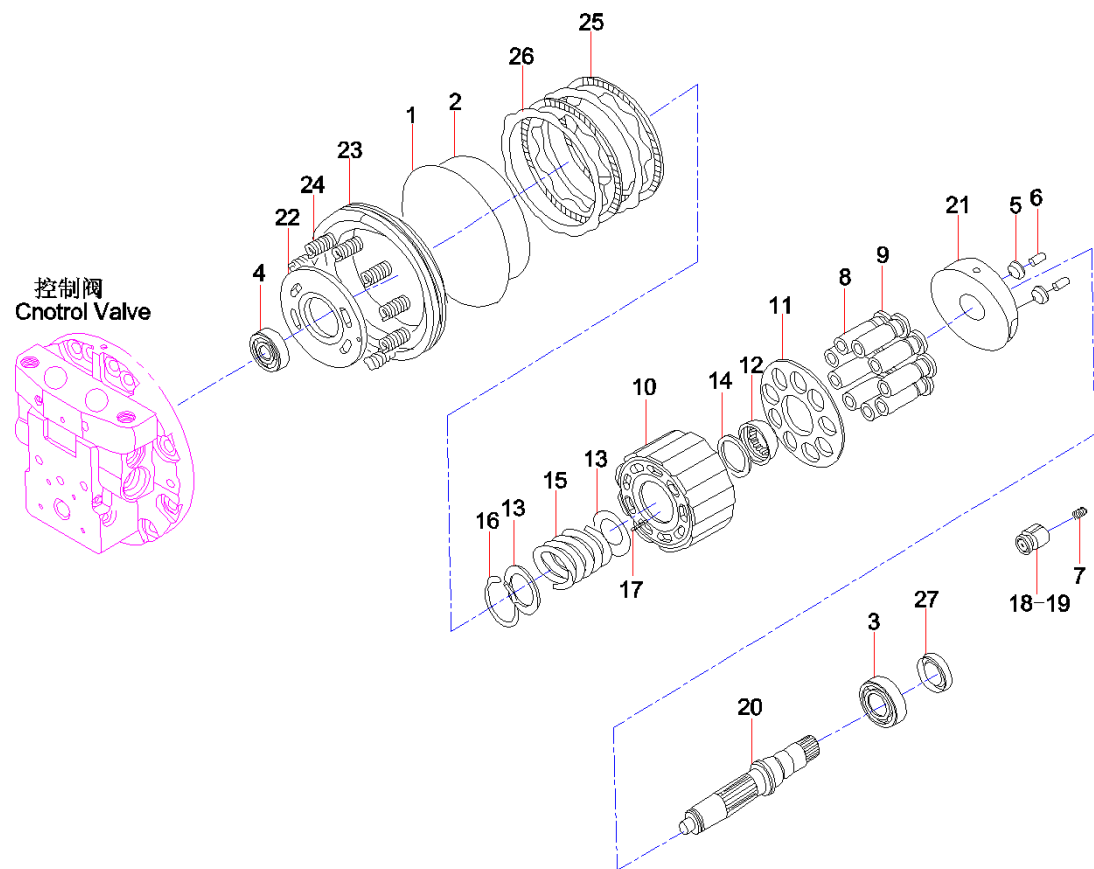
识别码 IC	序号 INDEX	零件代码 PART NUMBER	数量 QTY	名称 PART NAME	
2-19-1	1	11908442	1	轮体	Body, wheel
2-19-2	2	60028677	1	带法兰轴套	Sleeve,shaft,with flange
2-19-3	3	60027515	1	闷头螺塞	Plug, screw
2-19-4	4	60028679	1	浮动密封	Seal, floating
2-19-5	5	A210608000089	1	O形圈	O-ring
2-19-6	6	11029450	1	浮封座	Carrier, seal, floating
2-19-7	7	12168574	1	垫片	Gasket
2-19-8	8	A210111000012	3	螺栓	Bolt
2-19-9	9	11908438	1	轴	shaft
2-19-10	10	60028678	1	直壁型轴套	Bush,straight-wall
2-19-11	11	11908439	1	侧盖	Cover, side
2-19-12	12	A210111000024	3	螺栓	BOLT



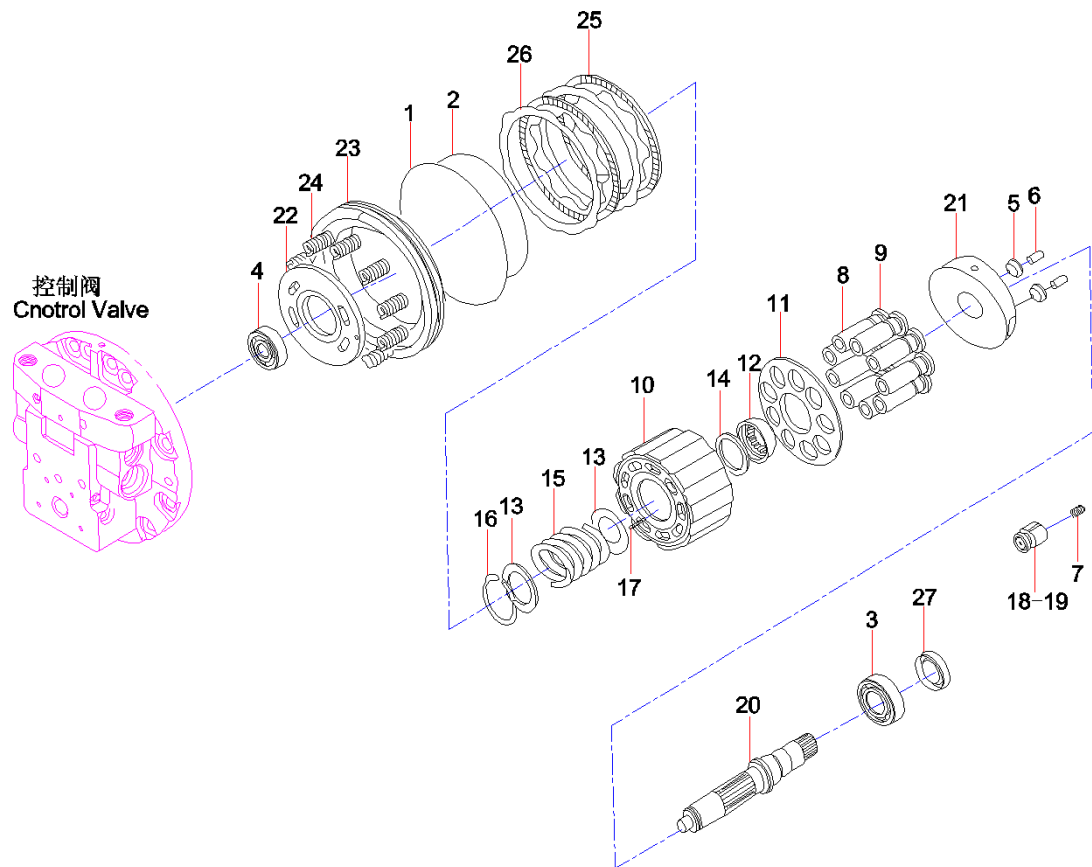
识别码 IC	序号 INDEX	零件代码 PART NUMBER	数量 QTY	名称 PART NAME	
2-21-1	1	10999959	1	轴	Shaft
2-21-2	2	60029251	2	圆柱销	Pin,cylindrical
2-21-3	3	A210608000081	2	O形圈	O-ring
2-21-4	4	60027515	1	闷头螺塞	Plug, screw
2-21-5	5	60027516	2	轴套	Sleeve, shaft
2-21-6	6	10999964	1	支重轮轮体	Thrust wheel body
2-21-7	7	10999961	1	右轴端盖	Cover,shaft,right
2-21-8	8	10999960	1	左轴端盖	left_cover
2-21-9	9	60027514	2	浮封	Seal, floating



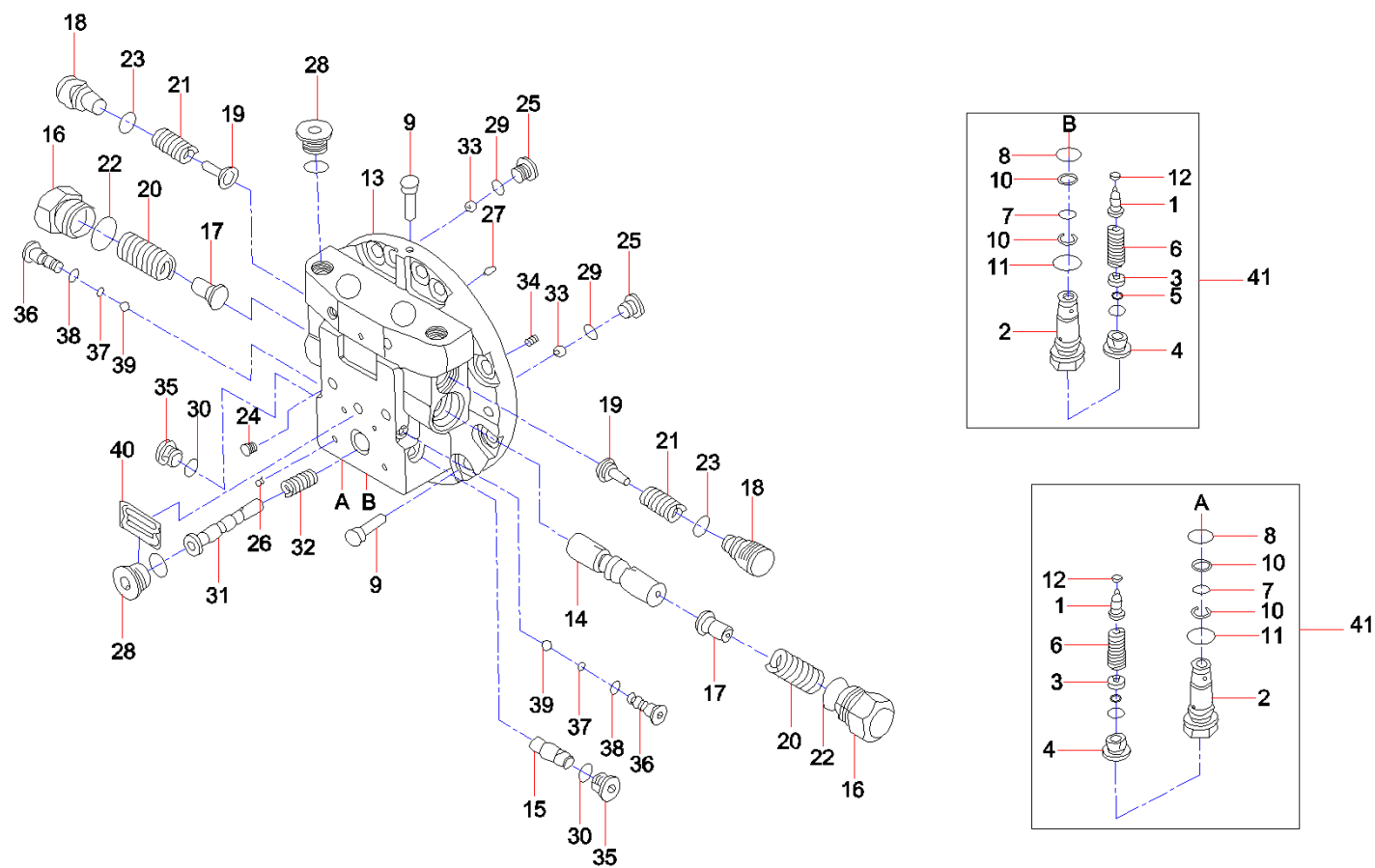
识别码 IC	序号 INDEX	零件代码 PART NUMBER	数量 QTY	名称 PART NAME	
2-23-1	1	60181099	1	液压马达	Hydraulic Motor AS
2-23-2	2	60181098	1	减速机	Reducer



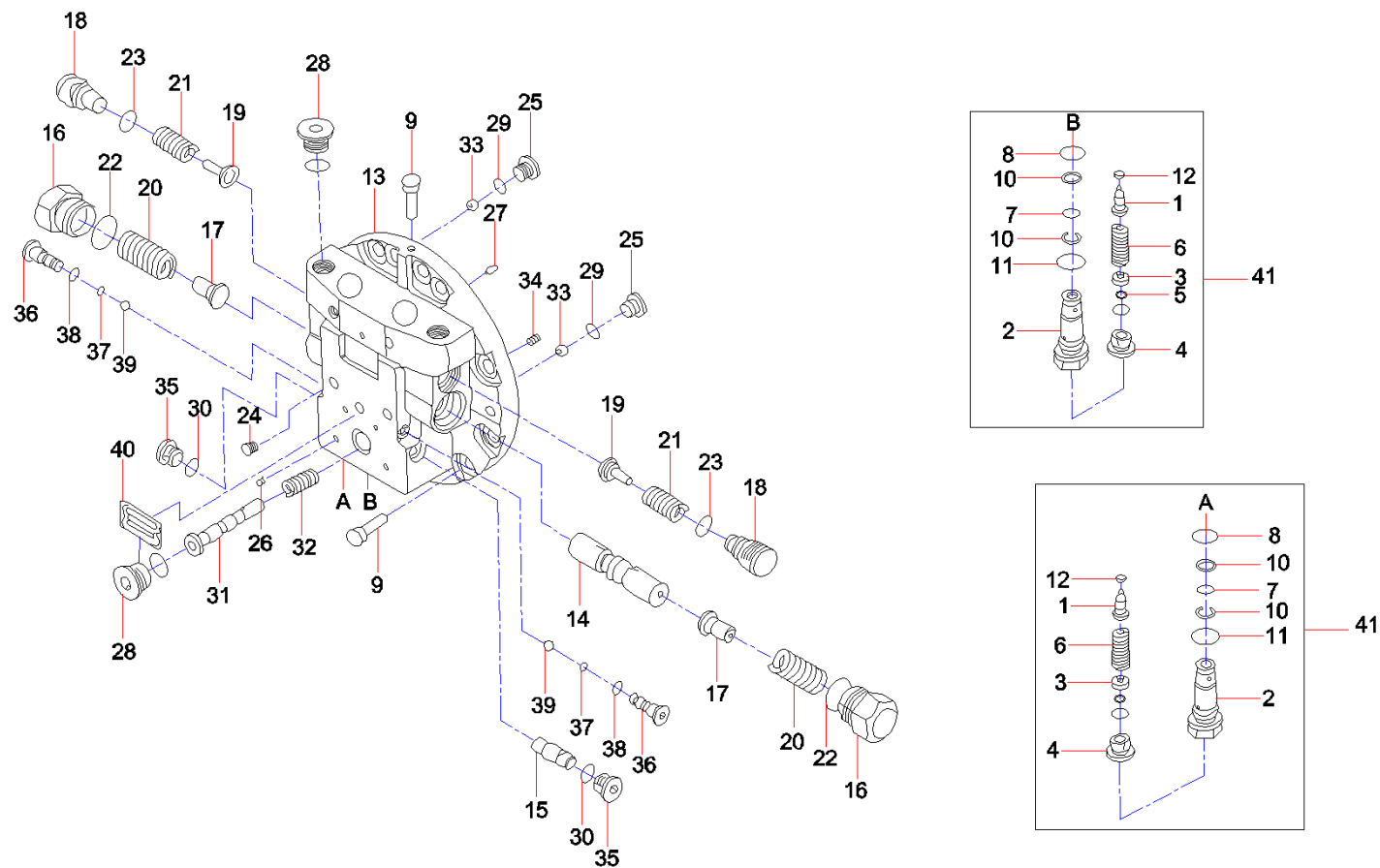
识别码 IC	序号 INDEX	零件代码 PART NUMBER	数量 QTY	名称 PART NAME	
2-25-1	1	60038770	1	O形圈	O-ring
2-25-2	2	60038771	1	O形圈	O-ring
2-25-3	3	60038129	1	滚珠轴承	Bearing, ball
2-25-4	4	60038123	1	滚针轴承	Bearing, needle
2-25-5	5	60038030	2	支点	Point, supporting
2-25-6	6	60038582	4	平行销	Pin
2-25-7	7	60038220	1	弹簧	Spring
2-25-8	8	60038689	9	柱塞	Plunger
2-25-9	9	60037991	9	滑靴	Slipper
2-25-10	10	60062355	1	缸体	Block, cylinder
2-25-11	11	60037939	1	保持板	Plate, retaining
2-25-12	12	60038022	1	推力球	Ball, thrust
2-25-13	13	60038328	2	垫圈	Washer
2-25-14	14	60038004	1	卡圈	Ring, retainer
2-25-15	15	60038222	1	弹簧	Spring
2-25-16	16	A210416000037	1	挡圈	Ring, retainer
2-25-17	17	60062350	5	针轮	Wheel, pin
2-25-18	18	60038688	1	柱塞	Plunger
2-25-19	19	60062356	1	壳体	Housing
2-25-20	20	60038673	1	轴	Shaft



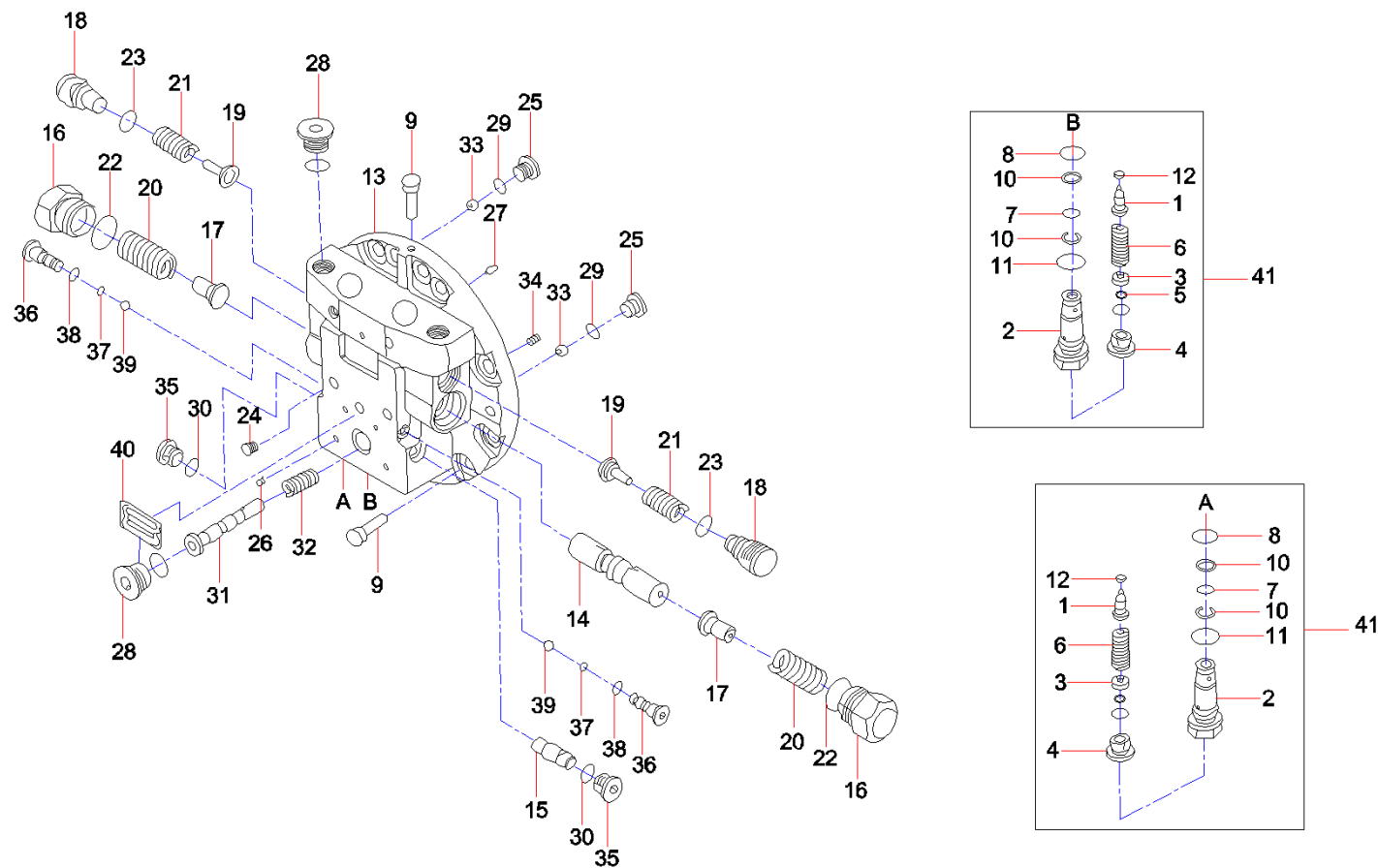
识别码 IC	序号 INDEX	零件代码 PART NUMBER	数量 QTY	名称 PART NAME	
2-27-21	21	60038622	1	斜盘	Plate, swash
2-27-22	22	60062348	1	配油盘	Tray, oil distribution
2-27-23	23	60038393	1	活塞	Piston
2-27-24	24	60038224	12	弹簧	Spring
2-27-25	25	60038037	2	制动片	Arrester
2-27-26	26	60038017	2	配合板	Plate, fitting
2-27-27	27	60038867	1	油封	Seal, oil



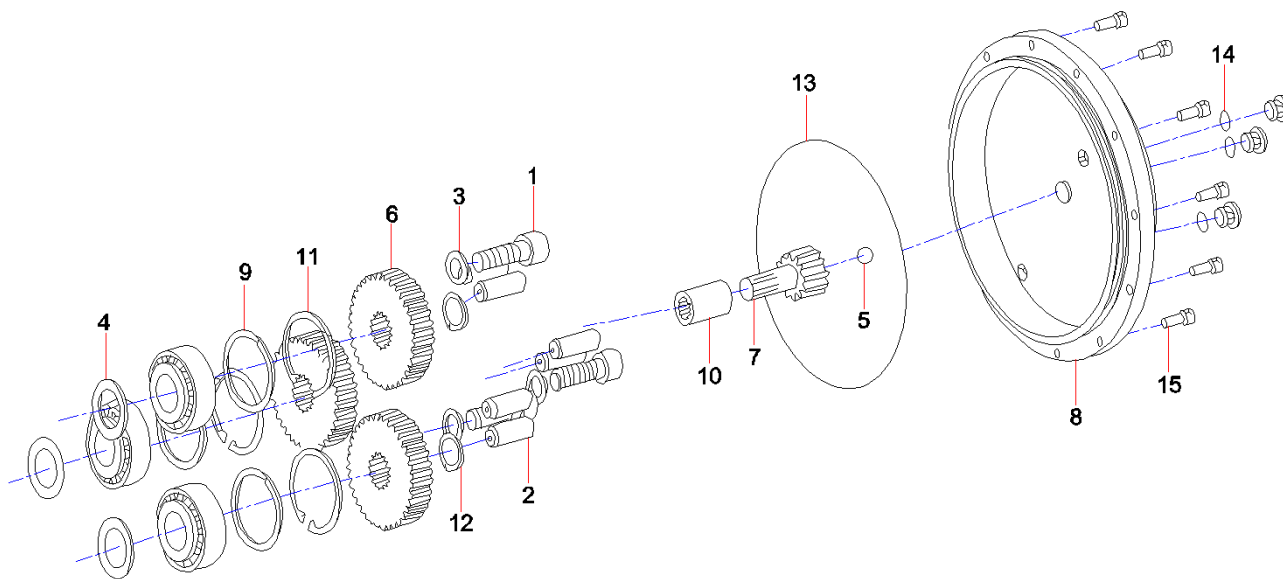
识别码 IC	序号 INDEX	零件代码 PART NUMBER	数量 QTY	名称 PART NAME
2-29-1	1	60038062	2	阀 Valve
2-29-2	2	60038067	2	阀套 Sleeve, valve
2-29-3	3	60038268	2	弹簧座 Seat, spring
2-29-4	4	60038496	2	螺塞 Plug, screw
2-29-5	5	60062353	2	垫片 Gasket
2-29-6	6	60038223	2	弹簧 Spring
2-29-7	7	60038800	2	O形圈 O-ring
2-29-8	8	60038802	2	O形圈 O-ring
2-29-9	9	60038504	4	螺塞 Plug, screw
2-29-10	10	60085364	4	备用挡圈 Ring, retaining
2-29-11	11	60038804	2	O形圈 O-ring
2-29-12	12	60062358	2	活塞油封 Seal, oil, piston
2-29-13	13	60038345	1	端面法兰 Flange, end face
2-29-14	14	60038077	1	阀芯 Spool, valve
2-29-15	15	60039350	1	活塞 Piston
2-29-16	16	60038488	2	螺塞 Plug, screw
2-29-17	17	60062349	2	塞子 Plug
2-29-18	18	60038489	2	螺塞 Plug, screw
2-29-19	19	60038061	2	阀 Valve
2-29-20	20	60038210	2	弹簧 Spring



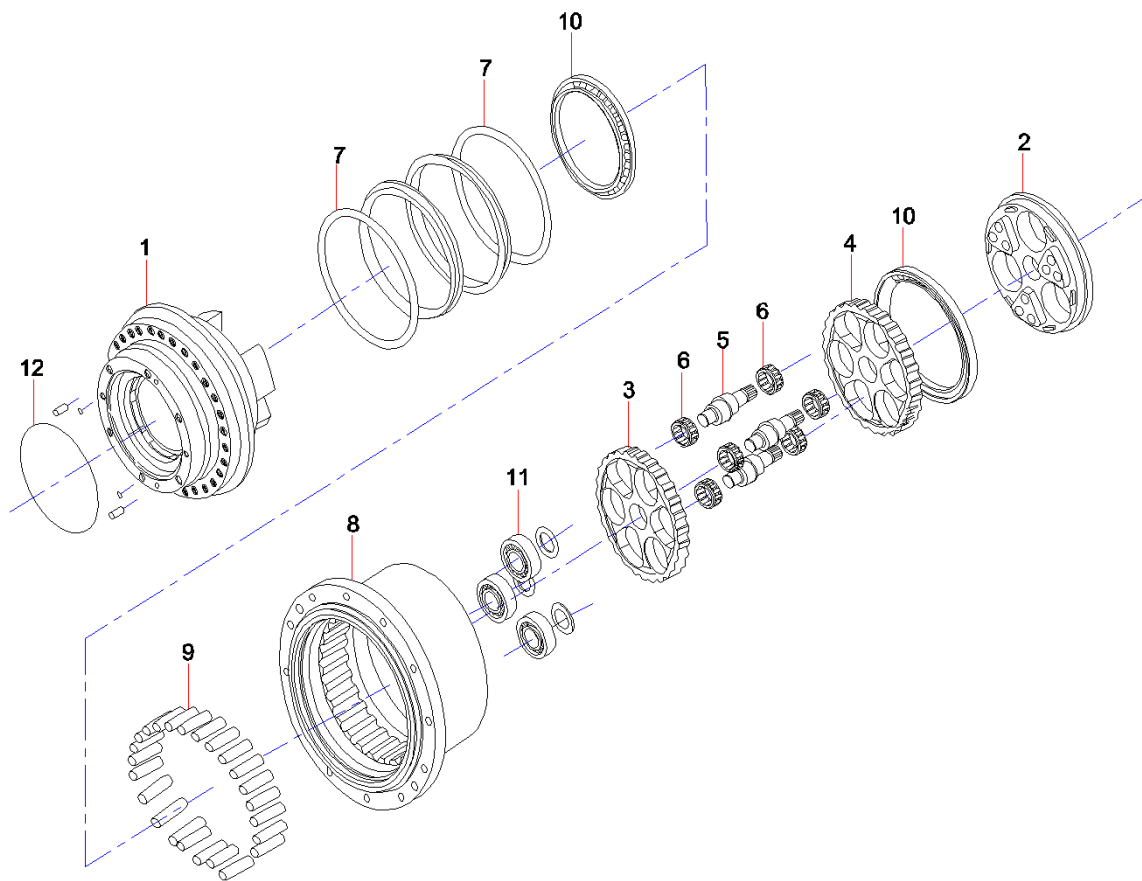
识别码 IC	序号 INDEX	零件代码 PART NUMBER	数量 QTY	名称 PART NAME	
2-31-21	21	60038211	2	弹簧	Spring
2-31-22	22	60038805	2	O形圈	O-ring
2-31-23	23	60038803	2	O形圈	O-ring
2-31-24	24	60038503	4	螺塞	Plug, screw
2-31-25	25	60062346	2	堵	Plug
2-31-26	26	60038502	8	螺塞	Plug, screw
2-31-27	27	60062354	1	定位销	Dowel
2-31-28	28	60038495	5	螺塞	Plug, screw
2-31-29	29	60038798	2	O形圈	O-ring
2-31-30	30	60038799	2	O形圈	O-ring
2-31-31	31	60038078	1	阀芯	Spool, valve
2-31-32	32	60038225	1	弹簧	Spring
2-31-33	33	60038042	2	钢球	Ball, steel
2-31-34	34	60062352	2	内六角螺栓	Filter
2-31-35	35	60062347	2	堵	Plug
2-31-36	36	60038497	2	螺塞	Plug, screw
2-31-37	37	60038807	2	O形圈	O-ring
2-31-38	38	60038808	4	O形圈	O-ring
2-31-39	39	60038043	2	钢球	Ball, steel
2-31-40	40	60038544	1	铭牌	Nameplate



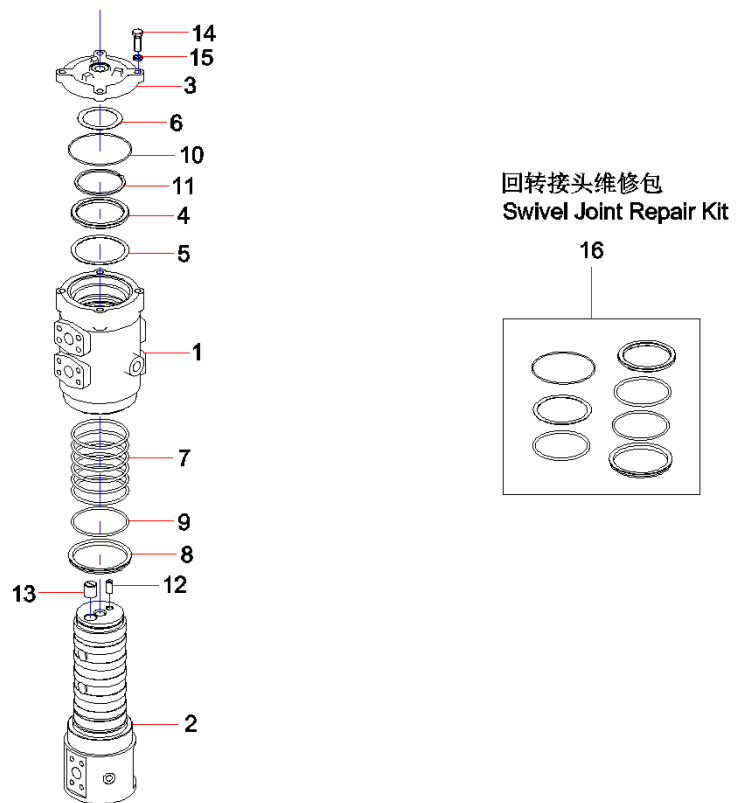
识别码 IC	序号 INDEX	零件代码 PART NUMBER	数量 QTY	名称 PART NAME
2-33-41	41	60201092	2	溢流阀 Relief Valve



识别码 IC	序号 INDEX	零件代码 PART NUMBER	数量 QTY	名称 PART NAME	
2-35-1	1	60038470	3	螺钉	Bolt
2-35-2	2	60038581	6	平销	Pin
2-35-3	3	60038291	3	挡圈	Ring, retaining
2-35-4	4	60037975	6	隔片	Spacer
2-35-5	5	60038044	1	钢球	Ball, steel
2-35-6	6	60039305	3	驱动齿轮	Gear, drive
2-35-7	7	60039306	1	输入齿轮	Gear, input
2-35-8	8	60038346	1	法兰	Flange
2-35-9	9	60037976	3	隔片	Spacer
2-35-10	10	60038875	1	联接器	Coupler
2-35-11	11	A210416000025	3	挡圈	Ring, retainer
2-35-12	12	A210416000041	3	挡圈	Ring, retainer
2-35-13	13	60038806	1	O形圈	O-ring
2-35-14	14	60038801	7	O形圈	O-ring
2-35-15	15	24002206	12	螺钉	Bolt

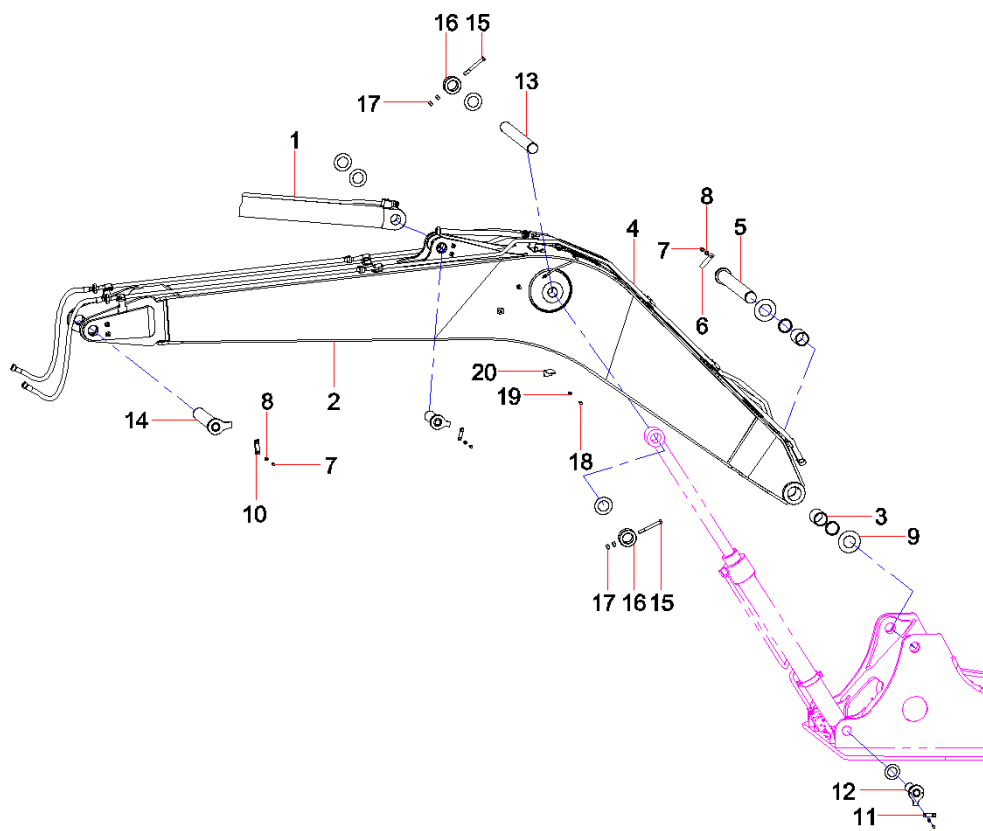


识别码 IC	序号 INDEX	零件代码 PART NUMBER	数量 QTY	名称 PART NAME	
2-37-1	1	60039407	1	轴	Shaft
2-37-2	2	60039337	1	法兰	Flange
2-37-3	3	60038145	1	太阳轮	Gear, sun
2-37-4	4	60038146	1	太阳轮	Gear, sun
2-37-5	5	60038588	3	曲轴	Crankshaft
2-37-6	6	60038122	6	滚针轴承	Bearing, needle
2-37-7	7	60062357	2	浮动油封	Seal, oil
2-37-8	8	60038437	1	壳体	Housing
2-37-9	9	60038615	24	销	Pin
2-37-10	10	60062351	2	轴承	Bearing
2-37-11	11	60038121	6	滚针轴承	Bearing, needle
2-37-12	12	60038797	1	O形圈	O-ring

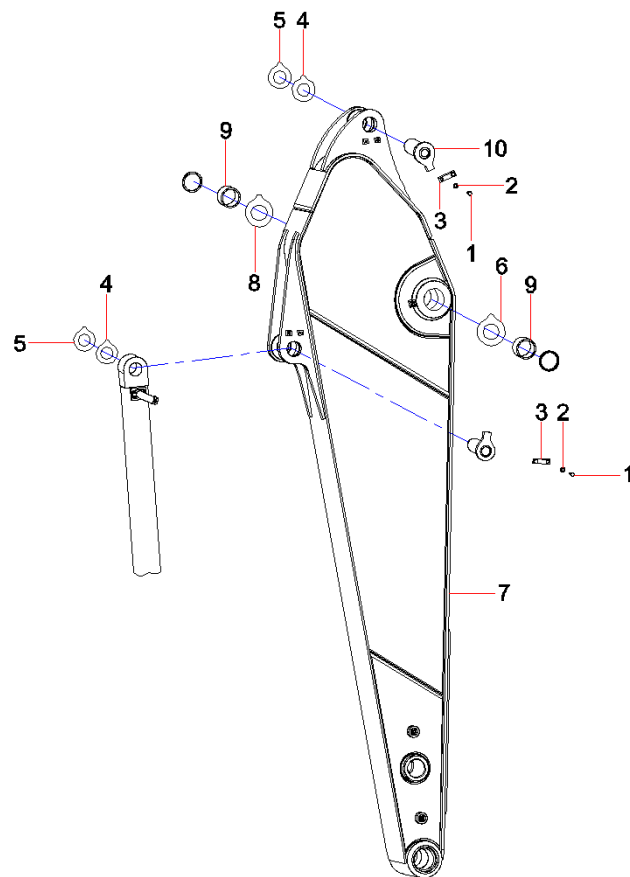


识别码 IC	序号 INDEX	零件代码 PART NUMBER	数量 QTY	名称 PART NAME	
2-39-1	1	60008458	1	回转体	Body, swivel joint
2-39-2	2	60008618	1	回转轴	Shaft, swivel joint
2-39-3	3	60008457	1	盖	Cover
2-39-4	4	60008619	1	隔套	Sleeve, spacer
2-39-5	5	60008620	1	垫片	Shim
2-39-6	6	60008621	1	垫片	Shim
2-39-7	7	60008829	6	旋转密封	Seal, rotary
2-39-8	8	60008830	1	防尘圈	Ring, dust
2-39-9	9	60008687	1	O形圈	O-ring
2-39-10	10	60008688	1	O形圈	O-ring
2-39-11	11	60008831	1	挡圈	Ring, retaining
2-39-12	12	A880801040009	1	螺堵	Plug
2-39-13	13	60008887	4	螺堵	Plug
2-39-14	14	A210110000188	4	螺栓	Bolt
2-39-15	15	A210401000023	4	垫圈	Washer
2-39-16	16	A260409000416	1	回转接头维修包	Repair kit,slewing connector

第3章 工作装置 (Work equipment)

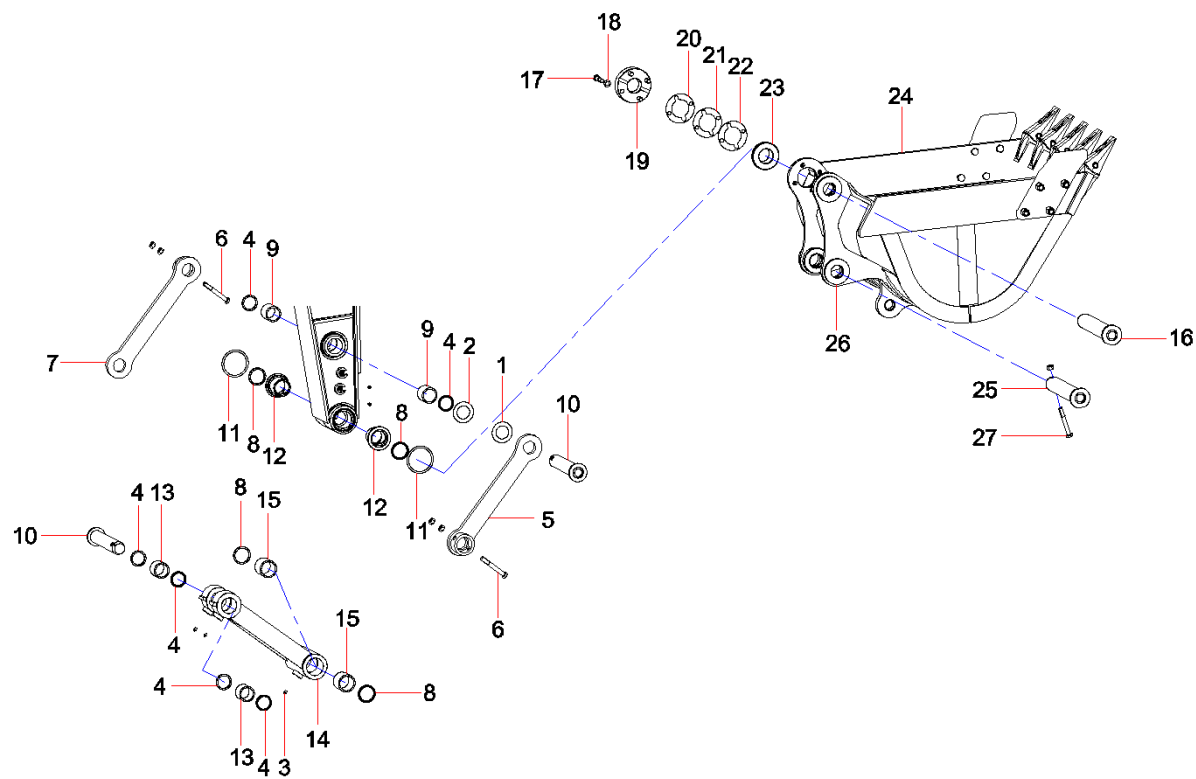


识别码 IC	序号 INDEX	零件代码 PART NUMBER	数量 QTY	名称 PART NAME	
3-3-1	1	12708891	1	工作装置管路	Pipeline, work equipment
3-3-2	2	11895574	1	动臂	Boom
3-3-3	3	10514130	2	轴套	Sleeve, shaft
3-3-4	4	11437255	1	工作装置润滑管路	Pipeline, greasing, work equipment
3-3-5	5	11903141	1	销轴	Roll, pin
3-3-6	6	11324336	1	压板	Plate, pressure
3-3-7	7	A210111000212	4	螺栓	Bolt
3-3-8	8	A210405000003	4	垫圈	Washer
3-3-9	9	11160697	4	树脂垫片	Gasket, resin
3-3-10	10	11179219	1	压板	Plate, pressure
3-3-11	11	11272926	2	压板	Plate, pressure
3-3-12	12	A810312110026	2	销轴	Roll, pin
3-3-13	13	A820301020461	1	销轴	Roll, pin
3-3-14	14	10988406	1	销轴	Roll, pin
3-3-15	15	A210110000352	3	螺栓	Bolt
3-3-16	16	A820202002009	2	板	Plate
3-3-17	17	A210307000029	12	螺母M20GB6170-00 10级	NUT
3-3-18	18	A210111000263	2	螺栓	Bolt
3-3-19	19	A210401000004	2	垫圈	Washer
3-3-20	20	A820101322531	2	灯架	Bracket, lamp

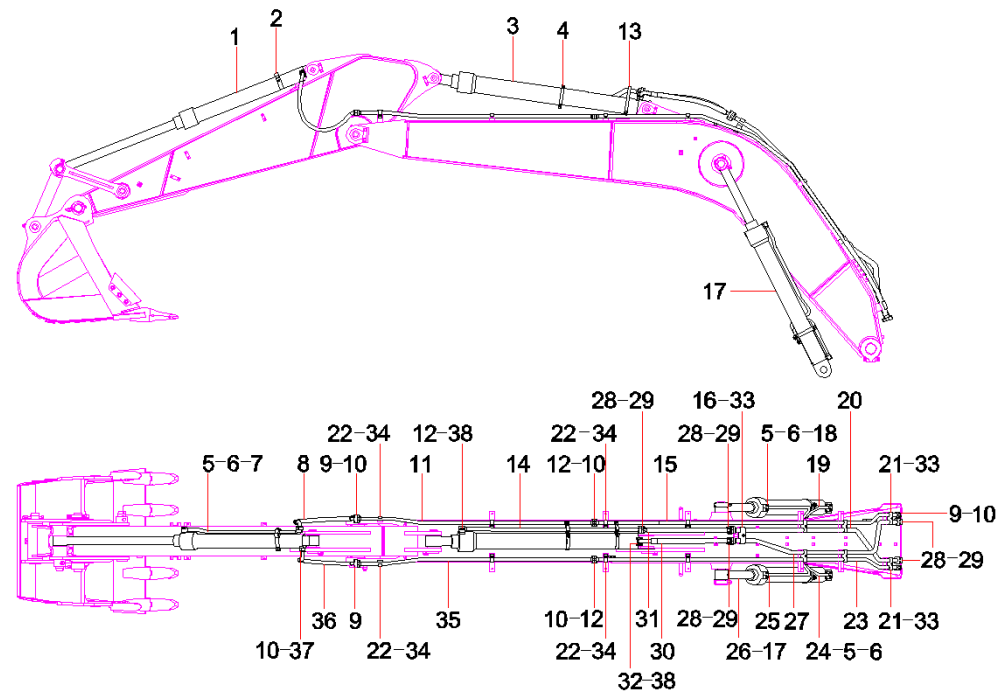


识别码 IC	序号 INDEX	零件代码 PART NUMBER	数量 QTY	名称 PART NAME	
3-5-1	1	A210111000202	10	螺栓	螺栓
3-5-2	2	A210405000001	10	垫圈	Washer
3-5-3	3	A820101119187	3	板	Plate
3-5-4	4	11112320	3	树脂垫片	Gasket, resin
3-5-5	5	11041905	9	树脂垫片	Gasket, resin
3-5-6	6	11251492	4	树脂垫片	Gasket, resin
3-5-7	7	变更或见其他配置	1	斗杆	Arm
3-5-8	8	B230101000464	4	ME-2防尘圈	ME-2-ring, dustproof
3-5-9	9	11016612	2	轴套	Sleeve, shaft
3-5-10	10	A810312110021	3	销轴	Roll, pin

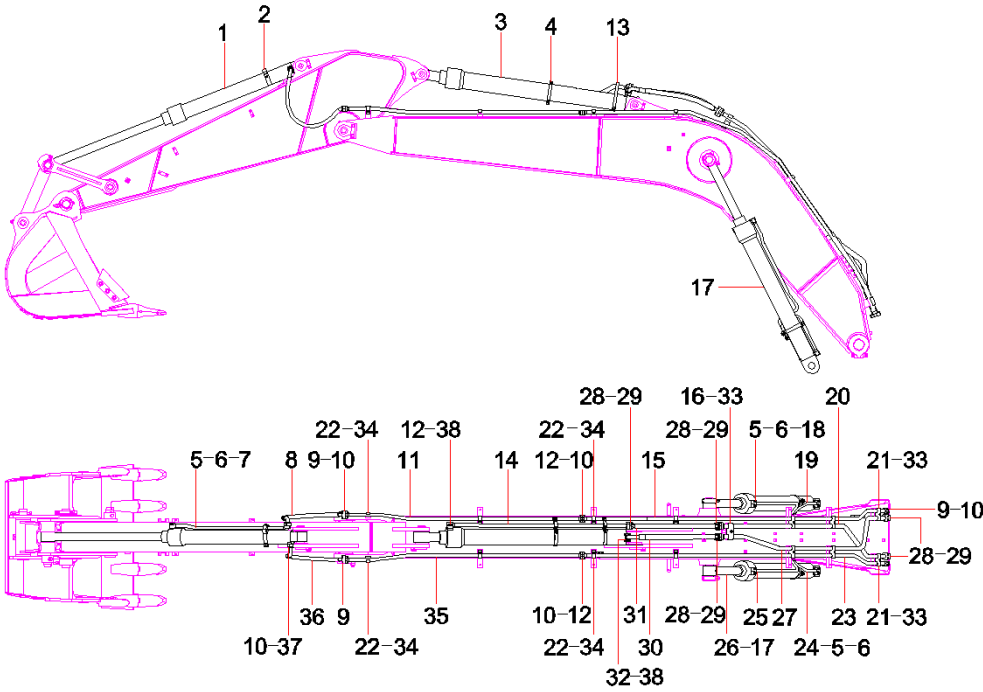
识别码 IC	序号 INDEX	零件代码 PART NUMBER	数量 QTY	名称 PART NAME	
3-7-1	1	A820102010381	4	垫片	Gasket
3-7-2	2	A820102010382	2	垫片	Gasket
3-7-3	3	B229900000686	8	黄油嘴	黄油嘴
3-7-4	4	B230101000623	6	DSI防尘圈	DSI-ring, dustproof
3-7-5	5	11267239	1	右摇杆	Rocker, right
3-7-6	6	A210110000300	2	螺栓M20 × 160GB5782 10.9级	Bolt
3-7-7	7	11267246	1	左摇杆	Rocker, left
3-7-8	8	60055872	4	DLI防尘圈	DLI-ring, dustproof
3-7-9	9	A820202002975	2	轴套	Sleeve, shaft
3-7-10	10	10988373	2	销轴	Roll, pin
3-7-11	11	A210608000108	2	O形圈	O-ring
3-7-12	12	11744971	2	轴套	Sleeve, shaft
3-7-13	13	A820202002976	2	轴套	Sleeve, shaft
3-7-14	14	11559487	1	连杆	Rod, connecting
3-7-15	15	10989145	2	轴套	Sleeve, shaft
3-7-16	16	11904437	1	销轴	Roll, pin
3-7-17	17	A210111000221	4	螺栓	SCREW
3-7-18	18	A210401000006	4	垫圈	Washer
3-7-19	19	11904436	1	板	Plate
3-7-20	20	11904433	4	调整垫片	Shim



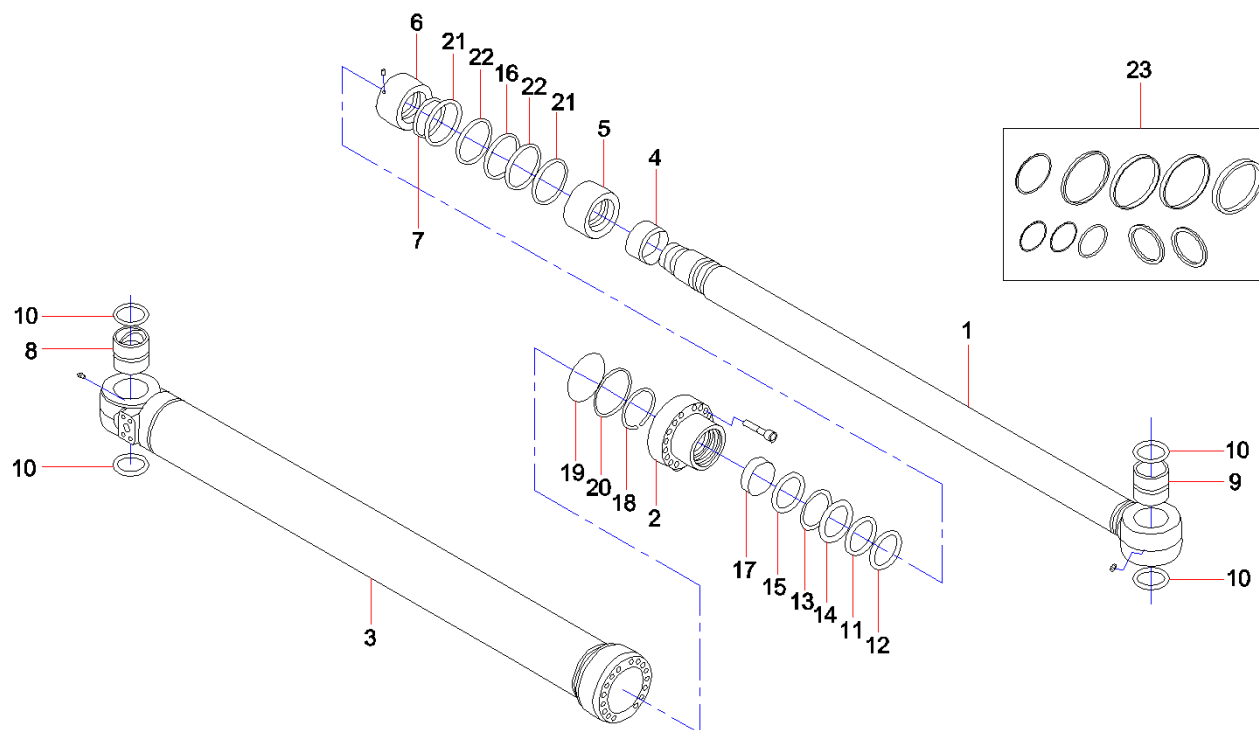
识别码 IC	序号 INDEX	零件代码 PART NUMBER	数量 QTY	名称 PART NAME	
3-9-21	21	11904434	4	调整垫片	Shim
3-9-22	22	11904435	4	调整垫片	Shim
3-9-23	23	11016610	1	套	Sleeve
3-9-24	24	12055429	1	1.12方岩石铲斗	Bucket
3-9-25	25	10988337	1	销轴	Roll, pin
3-9-26	26	A820102010387	4	垫片	Gasket
3-9-27	27	A210110000347	1	螺栓	Bolt



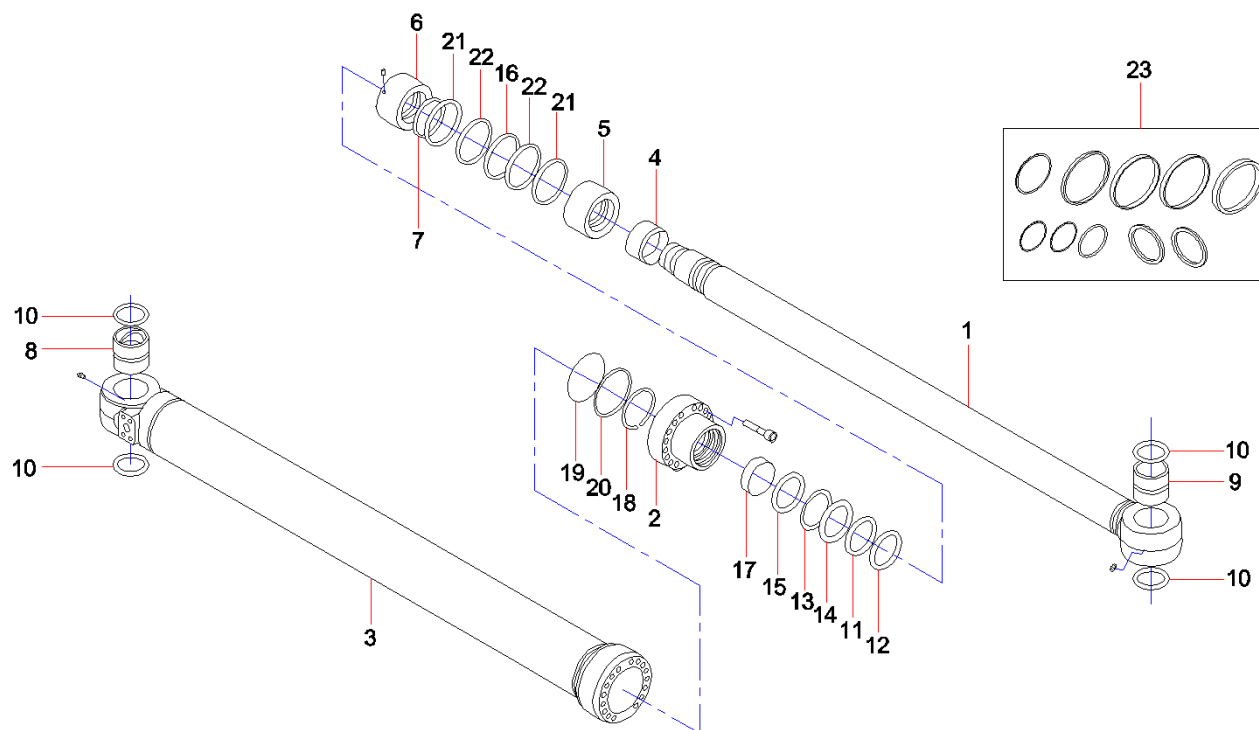
识别码 IC	序号 INDEX	零件代码 PART NUMBER	数量 QTY	名称 PART NAME	
3-11-1	1	60027481	1	铲斗油缸	Cylinder, bucket
3-11-2	2	11423738	1	管卡	Clip, pipe
3-11-3	3	60027483	1	斗杆油缸	Cylinder, arm
3-11-4	4	12262760	1	管夹	Clamp, pipe
3-11-5	5	A210609000136	5	O形圈	O-ring
3-11-6	6	A210204000356	20	螺钉	螺钉
3-11-7	7	11416023	1	铲斗钢管	Tube, bucket
3-11-8	8	变更或见其他配置	1	胶管	Hose
3-11-9	9	B210780000244	10	对开法兰	Flange, split
3-11-10	10	A210204000364	32	螺钉	Screw
3-11-11	11	12161457	1	钢管总成	Pipe GP,steel
3-11-12	12	B230101000456	3	O形圈	O-ring
3-11-13	13	12252878	1	管夹	Clamp, pipe
3-11-14	14	11414248	1	钢管	Pipe, steel
3-11-15	15	12413496	1	钢管总成	Pipe GP,steel
3-11-16	16	11859784	1	管夹	Clamp, pipe
3-11-17	17	60027482	2	动臂油缸	Cylinder, boom
3-11-18	18	11117757	1	钢管	Pipe, steel
3-11-19	19	11013494	1	钢管	Pipe, steel
3-11-20	20	11414112	1	钢管总成	Pipe GP,steel



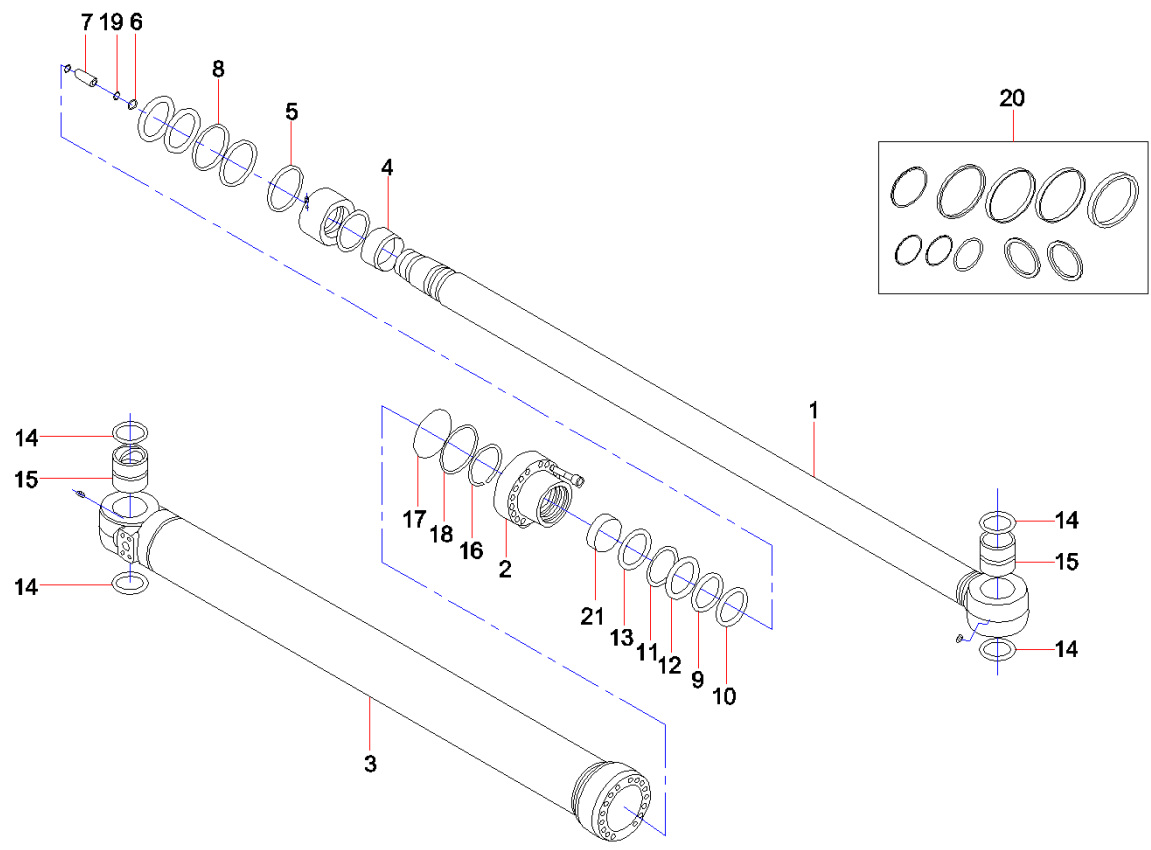
识别码 IC	序号 INDEX	零件代码 PART NUMBER	数量 QTY	名称 PART NAME	
3-13-21	21	11881916	6	管夹	Clamp, pipe
3-13-22	22	21027533	6	螺钉	Screw
3-13-23	23	12413494	1	钢管总成	Pipe GP, steel
3-13-24	24	11013498	1	钢管	Pipe, steel
3-13-25	25	11117760	1	钢管	Pipe, steel
3-13-26	26	11118334	2	管夹	Clamp, pipe
3-13-27	27	11414163	1	钢管总成	Pipe GP, steel
3-13-28	28	A210204000353	20	螺钉	Screw
3-13-29	29	B210780000693	10	对开法兰	Flange, SAE
3-13-30	30	60067993	1	胶管	Hose
3-13-31	31	60067992	1	胶管	Hose
3-13-32	32	B210780000004	2	对开法兰	Flange, split
3-13-33	33	A210204000366	7	螺钉	Screw
3-13-34	34	11881917	6	管夹	Clamp, pipe
3-13-35	35	12161392	1	钢管总成	Pipe GP, steel
3-13-36	36	变更或见其他配置	1	胶管	Hose
3-13-37	37	B210780000007	2	对开法兰	Flange, split
3-13-38	38	A210204000462	8	螺钉	Screw



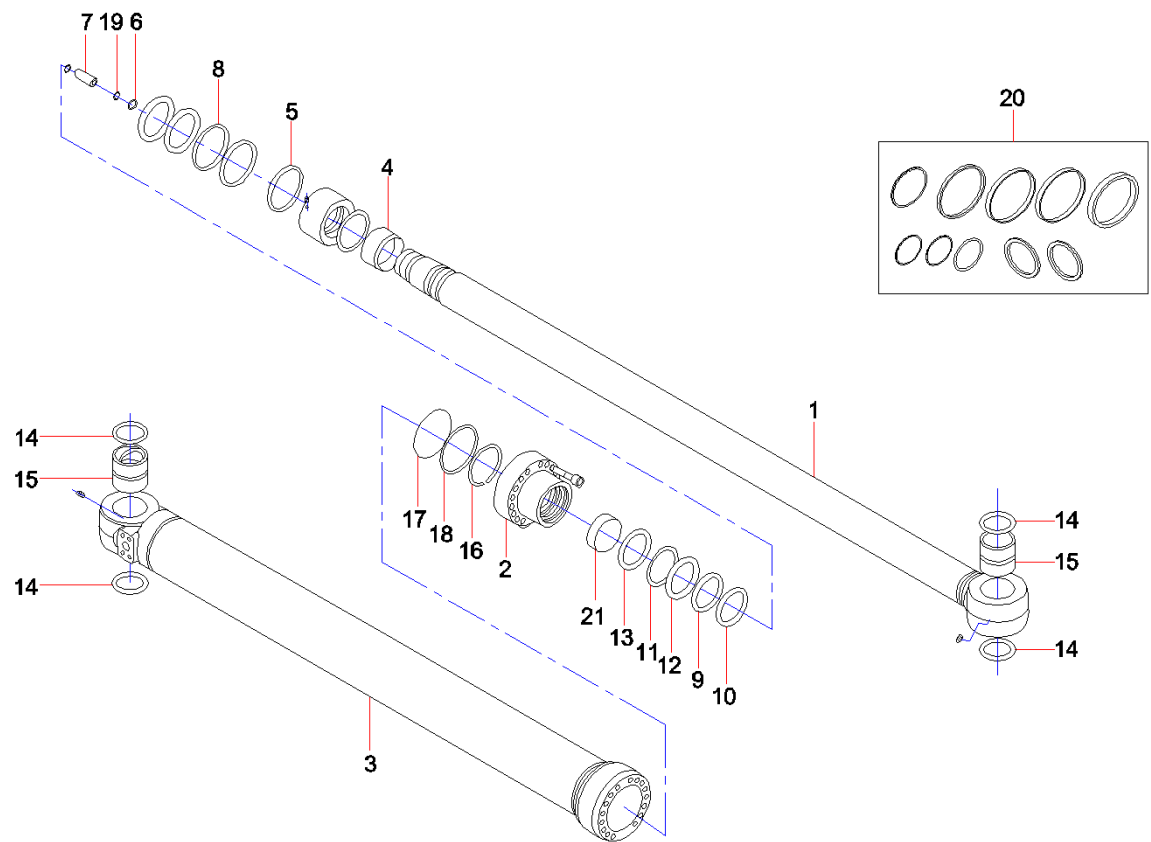
识别码 IC	序号 INDEX	零件代码 PART NUMBER	数量 QTY	名称 PART NAME	
3-15-1	1	60065302	1	活塞杆	Rod, piston
3-15-2	2	60065266	1	端盖	Cover, end
3-15-3	3	60065275	1	缸体	Block, cylinder
3-15-4	4	60065193	1	铲斗用缓冲套	Jacket, buffer, bucket
3-15-5	5	60065292	1	活塞	Piston
3-15-6	6	60065313	1	螺母	Nut
3-15-7	7	60065260	1	垫片	Shim
3-15-8	8	60065325	1	轴套	Sleeve, shaft
3-15-9	9	60065326	1	轴套	Sleeve, shaft
3-15-10	10	60065345	4	防尘圈	Ring, dust
3-15-11	11	60065343	1	防尘圈	Ring, dust
3-15-12	12	60065249	1	挡圈	Ring, retaining
3-15-13	13	60065358	1	轴用密封圈	Ring, seal
3-15-14	14	60065308	1	开口挡圈	Ring, retainer, switch
3-15-15	15	60065205	1	缓冲圈	Ring, buffer
3-15-16	16	60065350	1	孔用密封圈	Ring, seal
3-15-17	17	60065282	1	滑动轴套	Sleeve, sliding
3-15-18	18	60065252	1	挡圈	Ring, retaining
3-15-19	19	60065329	1	O形密封圈	O-ring
3-15-20	20	60065235	1	O形圈挡圈	Ring, retaining



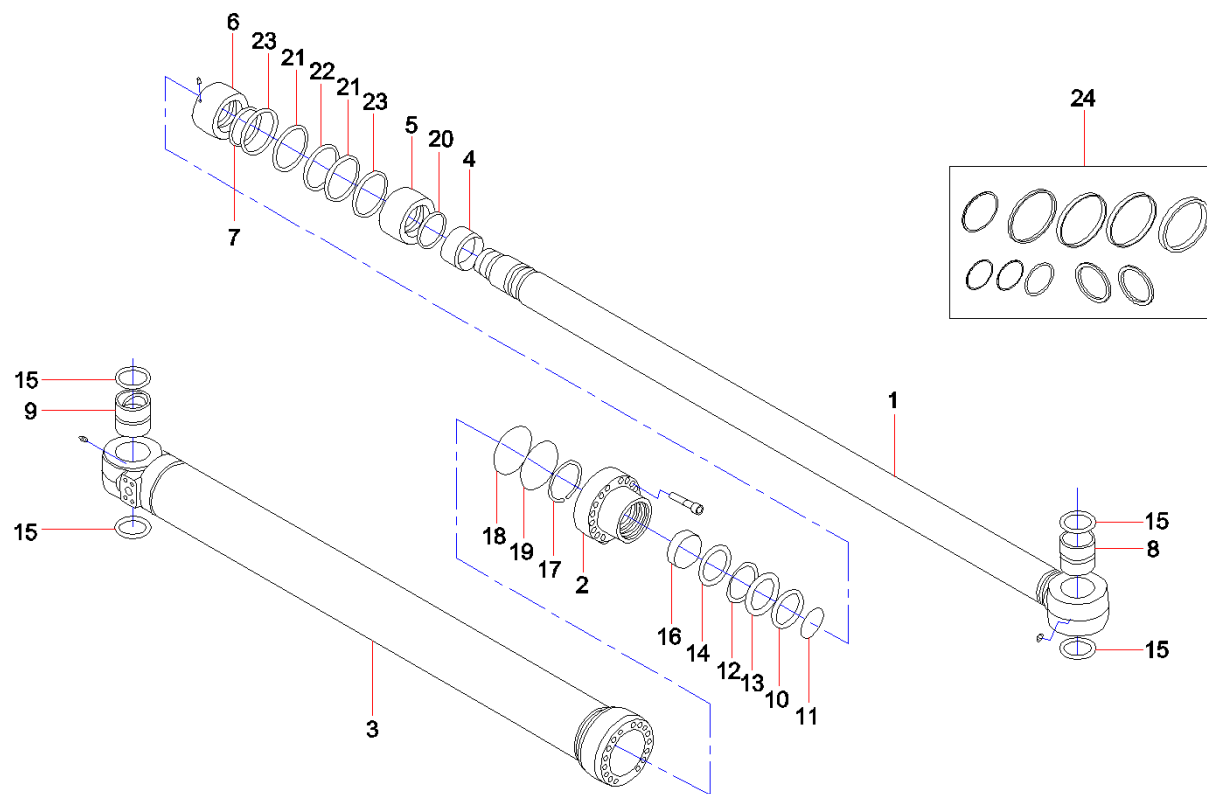
识别码 IC	序号 INDEX	零件代码 PART NUMBER	数量 QTY	名称 PART NAME	
3-17-21	21	60065216	2	纳污环	Ring, contaminant
3-17-22	22	60065336	2	成型导向环	Ring, guide
3-17-23	23	60060292	1	23T 铲斗油缸维修包	23T Bucket Cylinder Repair Kit



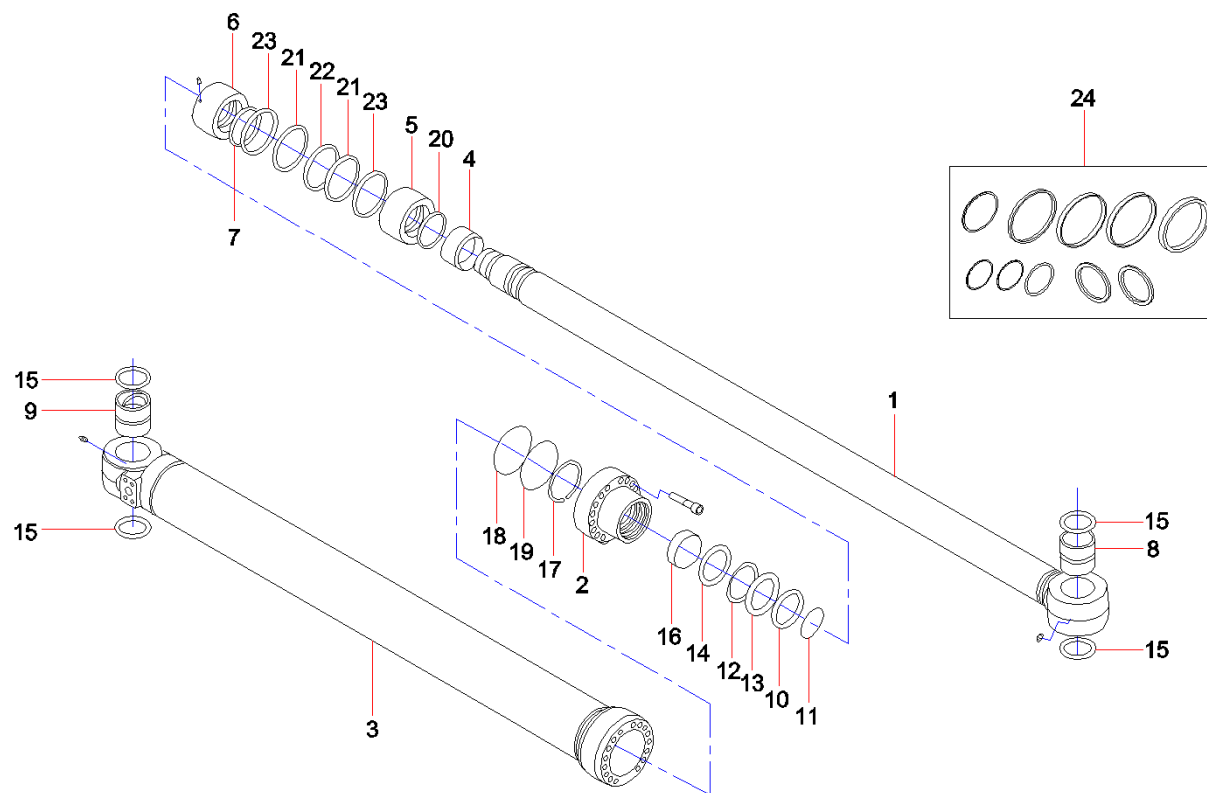
识别码 IC	序号 INDEX	零件代码 PART NUMBER	数量 QTY	名称 PART NAME	
3-19-1	1	60065304	1	活塞杆	Rod, piston
3-19-2	2	60065268	1	端盖	Cover, end
3-19-3	3	60065277	1	缸体	Block, cylinder
3-19-4	4	60065206	1	缓冲套	Sleeve, buffer
3-19-5	5	60065218	2	纳污环	Ring, contaminant
3-19-6	6	60065213	1	卡圈	Ring, retainer
3-19-7	7	60065195	1	后缓冲套	Sleeve, buffer, rear
3-19-8	8	60065338	2	成型导向环	Ring, guide
3-19-9	9	60065342	1	防尘圈	Ring, dust
3-19-10	10	60065242	1	挡圈	Ring, retaining
3-19-11	11	60065357	1	轴用密封圈	Ring, seal
3-19-12	12	60065305	1	开口挡圈	Ring, retainer, switch
3-19-13	13	60065204	1	缓冲圈	Ring, buffer
3-19-14	14	60065345	4	防尘圈	Ring, dust
3-19-15	15	60065231	4	B型轴套	Sleeve, shaft
3-19-16	16	60065248	1	挡圈	Ring, retaining
3-19-17	17	60065333	1	O型密封圈	Seal, O-ring
3-19-18	18	60065236	1	O形圈挡圈	Ring, retaining
3-19-19	19	60065346	1	缓冲环	Ring, buffer
3-19-20	20	60067379	1	23T斗杆油缸维修包	23T Movable Arm Cylinder Repair



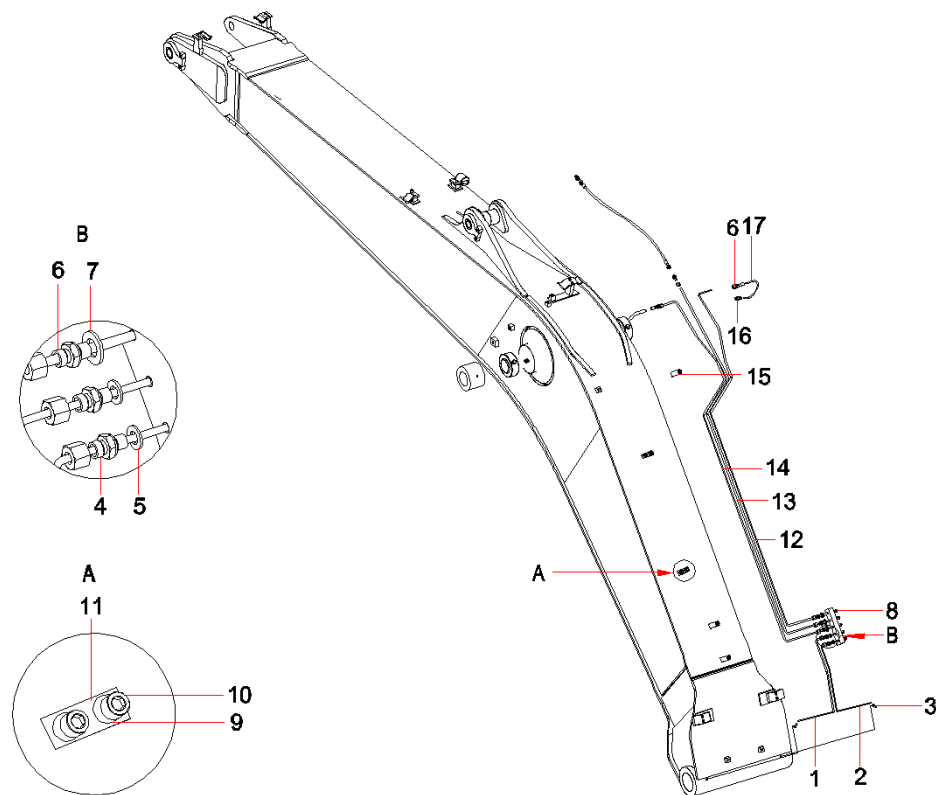
识别码 IC	序号 INDEX	零件代码 PART NUMBER	数量 QTY	名称 PART NAME
3-21-21	21	60174462	1	滑动轴套 Sliding shaft sleeve



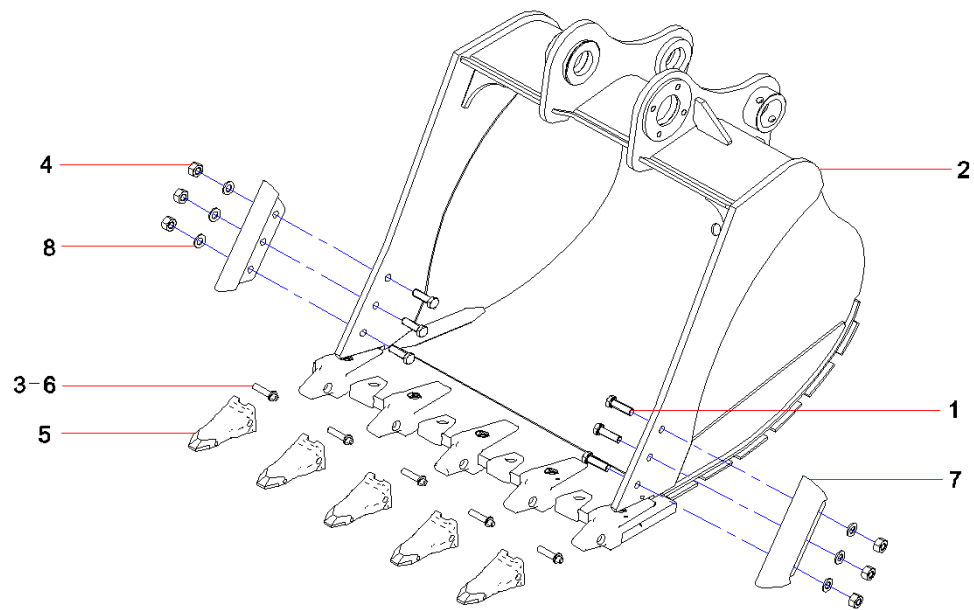
识别码 IC	序号 INDEX	零件代码 PART NUMBER	数量 QTY	名称 PART NAME	
3-23-1	1	60065303	1	活塞杆	Rod, piston
3-23-2	2	60065267	1	端盖	Cover, end
3-23-3	3	60065276	1	缸体	Block, cylinder
3-23-4	4	60065208	1	缓冲套	Sleeve, buffer
3-23-5	5	60065291	1	活塞	Piston
3-23-6	6	60065310	1	螺母	Nut
3-23-7	7	60065259	2	垫片	Gasket
3-23-8	8	60065322	2	轴套	Sleeve, shaft
3-23-9	9	60065324	1	轴套	Sleeve, shaft
3-23-10	10	60065343	1	防尘圈	Ring, dust
3-23-11	11	60065249	1	挡圈	Ring, retaining
3-23-12	12	60065358	1	轴用密封圈	Ring, seal
3-23-13	13	60065308	1	开口挡圈	Ring, retainer, switch
3-23-14	14	60065205	1	缓冲圈	Ring, buffer
3-23-15	15	60065345	4	防尘圈	Ring, dust
3-23-16	16	60065282	1	滑动轴套	Sleeve, sliding
3-23-17	17	60065252	1	挡圈	Ring, retaining
3-23-18	18	60065329	1	O形密封圈	O-ring
3-23-19	19	60065235	1	O形圈挡圈	Ring, retaining
3-23-20	20	60065347	1	缓冲环	Ring, buffer



识别码 IC	序号 INDEX	零件代码 PART NUMBER	数量 QTY	名称 PART NAME	
3-25-21	21	60065336	2	成型导向环	Ring, guide
3-25-22	22	60065350	1	孔用密封圈	Ring, seal
3-25-23	23	60065216	1	纳污环	Ring, contaminant
3-25-24	24	60067378	1	23T动臂油缸维修包	23T Movable Arm Cylinder Repair

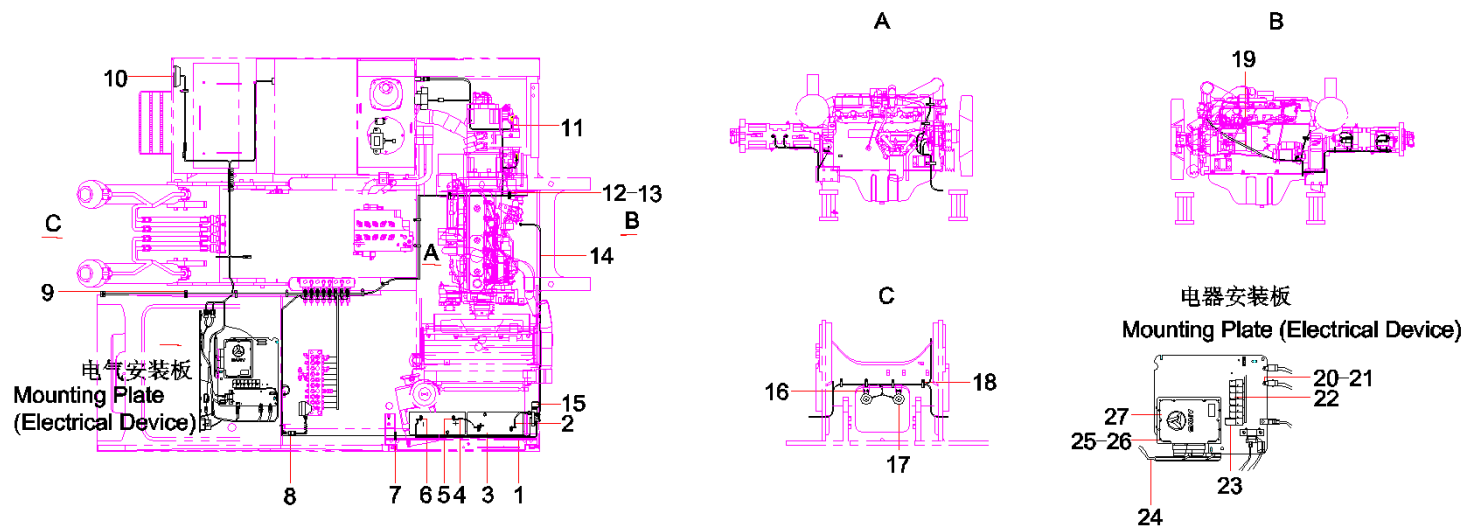


识别码 IC	序号 INDEX	零件代码 PART NUMBER	数量 QTY	名称 PART NAME	
3-27-1	1	11436728	1	黄油管	Tube, grease
3-27-2	2	11436714	1	黄油管	Tube, grease
3-27-3	3	11102369	2	接头	Connector
3-27-4	4	11102367	2	接头	Connector
3-27-5	5	A210434000005	2	垫圈	Washer
3-27-6	6	11102368	6	接头	Connector
3-27-7	7	A210434000007	3	垫圈	Washer
3-27-8	8	B229900000379	5	黄油嘴	Fitting, grease
3-27-9	9	A210404000003	6	垫圈	Washer
3-27-10	10	A210204000334	6	螺钉	Screw
3-27-11	11	A820101216696	3	三管管卡	Clamp, 3-pipe
3-27-12	12	11436839	1	黄油管	Tube, grease
3-27-13	13	11437254	1	黄油管	Tube, grease
3-27-14	14	11437225	1	黄油管	Tube, grease
3-27-15	15	A820101216692	3	单管管卡	Clip
3-27-16	16	A820205000858	3	管接头	Connector
3-27-17	17	B230103000815	3	胶管	Hose, rubber



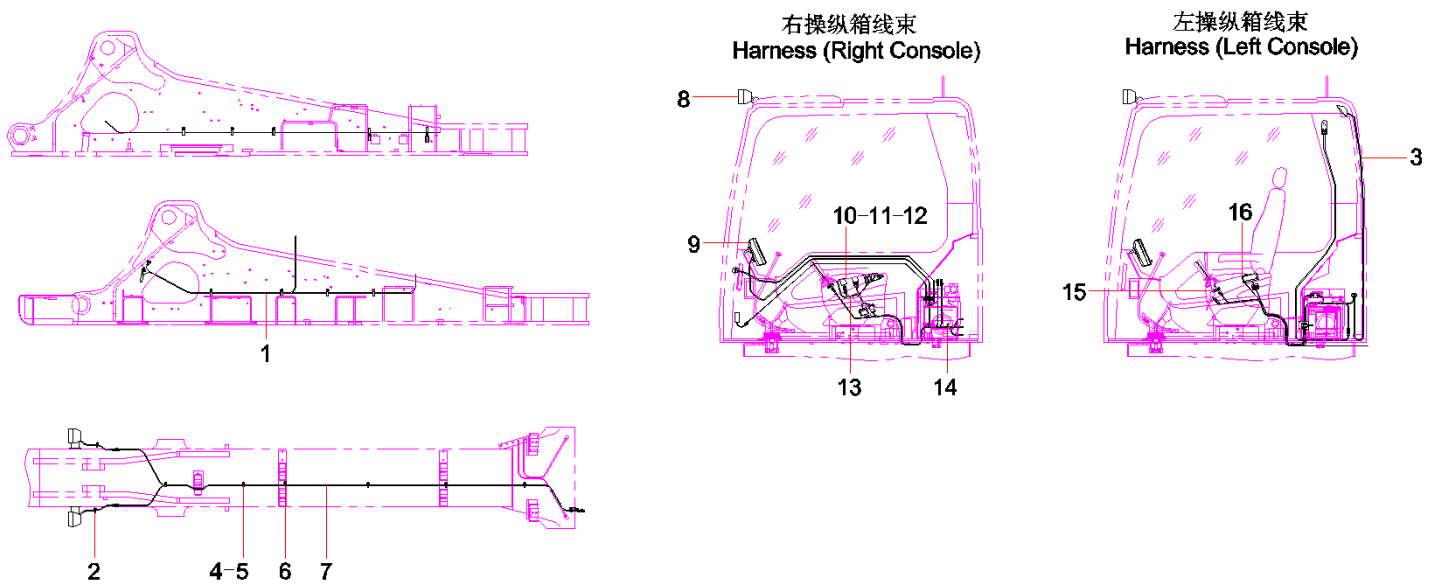
识别码 IC	序号 INDEX	零件代码 PART NUMBER	数量 QTY	名称 PART NAME	
3-29-1	1	A210110000427	6	螺栓	Bolt
3-29-2	2	12055440	1	1.12方岩石铲斗体	Body, bucket
3-29-3	3	60116440	5	销子	Pin
3-29-4	4	A210334000013	6	螺母	Nut
3-29-5	5	60116437	5	斗齿	Tooth, bucket
3-29-6	6	60116439	5	卡簧	Spring, snap
3-29-7	7	11280631	2	侧齿	Cutter, side
3-29-8	8	A210491000122	6	垫圈	Washer

第4章 电气系统 (Electrical system)



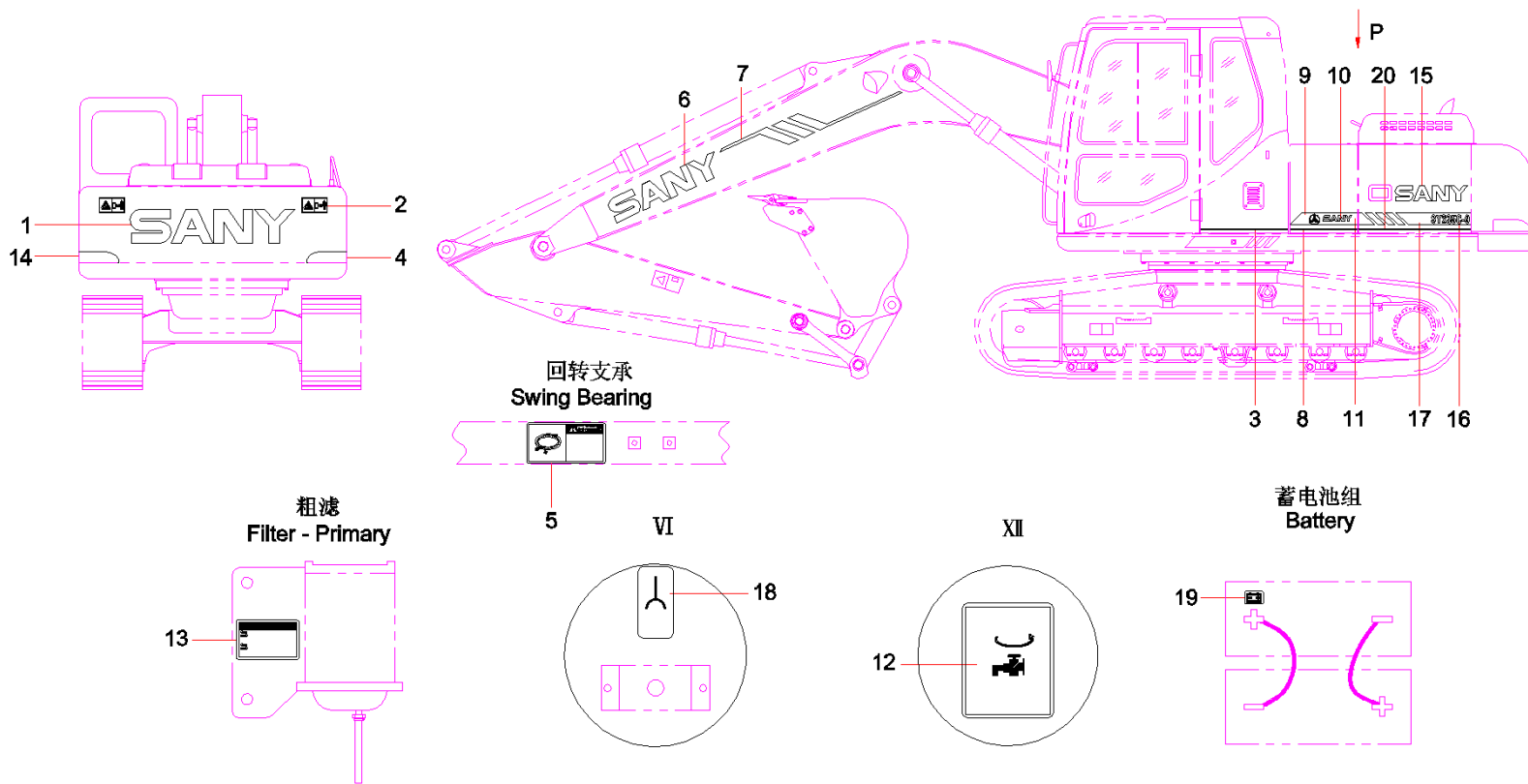
识别码 IC	序号 INDEX	零件代码 PART NUMBER	数量 QTY	名称 PART NAME	
4-3-1	1	60197055	1	电源线	Wire, power supply
4-3-2	2	60012803	1	电源线	Wire, power supply
4-3-3	3	A242200000027	2	蓄电池	Battery
4-3-4	4	60012792	1	电源线	Wire, power supply
4-3-5	5	60013322	2	A型蓄电池正极接头总成	Connector GP, anode, battery, A-
4-3-6	6	60013321	2	A型蓄电池负极接头总成	Connector GP, cathode, battery, A
4-3-7	7	A820606030059	1	护孔环	Grommet
4-3-8	8	B241000000022	1	2芯圆形插座	Socket, two-wire
4-3-9	9	60086357	7	线束固定夹	Clamp, harness
4-3-10	10	60114255	3	工作灯	Lamp, work
4-3-11	11	A239900000065	4	尼龙扎带	Strap, nylon
4-3-12	12	A210111000199	17	螺栓	Bolt
4-3-13	13	A210401000002	17	垫圈	Washer
4-3-14	14	60173565	1	电源线	Wire, power supply
4-3-15	15	A241300000059	1	熔断器盒	Box, fuse
4-3-16	16	A210111000089	4	螺栓	Bolt
4-3-17	17	A229900001896	1	喇叭	Horn
4-3-18	18	60086354	4	线束固定夹	Clamp, harness
4-3-19	19	60086355	3	线束固定夹	Clamp, harness
4-3-20	20	A210202000011	5	螺钉	Screw

识别码 IC	序号 INDEX	零件代码 PART NUMBER	数量 QTY	名称 PART NAME	
4-5-21	21	A210401000013	5	垫圈	Washer
4-5-22	22	B240700000250	5	中间继电器	Relay
4-5-23	23	60067864	1	时间继电器	Relay, time
4-5-24	24	A230200000021	1	PVC电气胶带	Tape, electric, PVC
4-5-25	25	A210204000146	4	螺钉	Screw
4-5-26	26	A210401000017	4	垫圈	Washer
4-5-27	27	11996161	1	三一可组态液压控制器	Sany Encourage Hydraulic Control

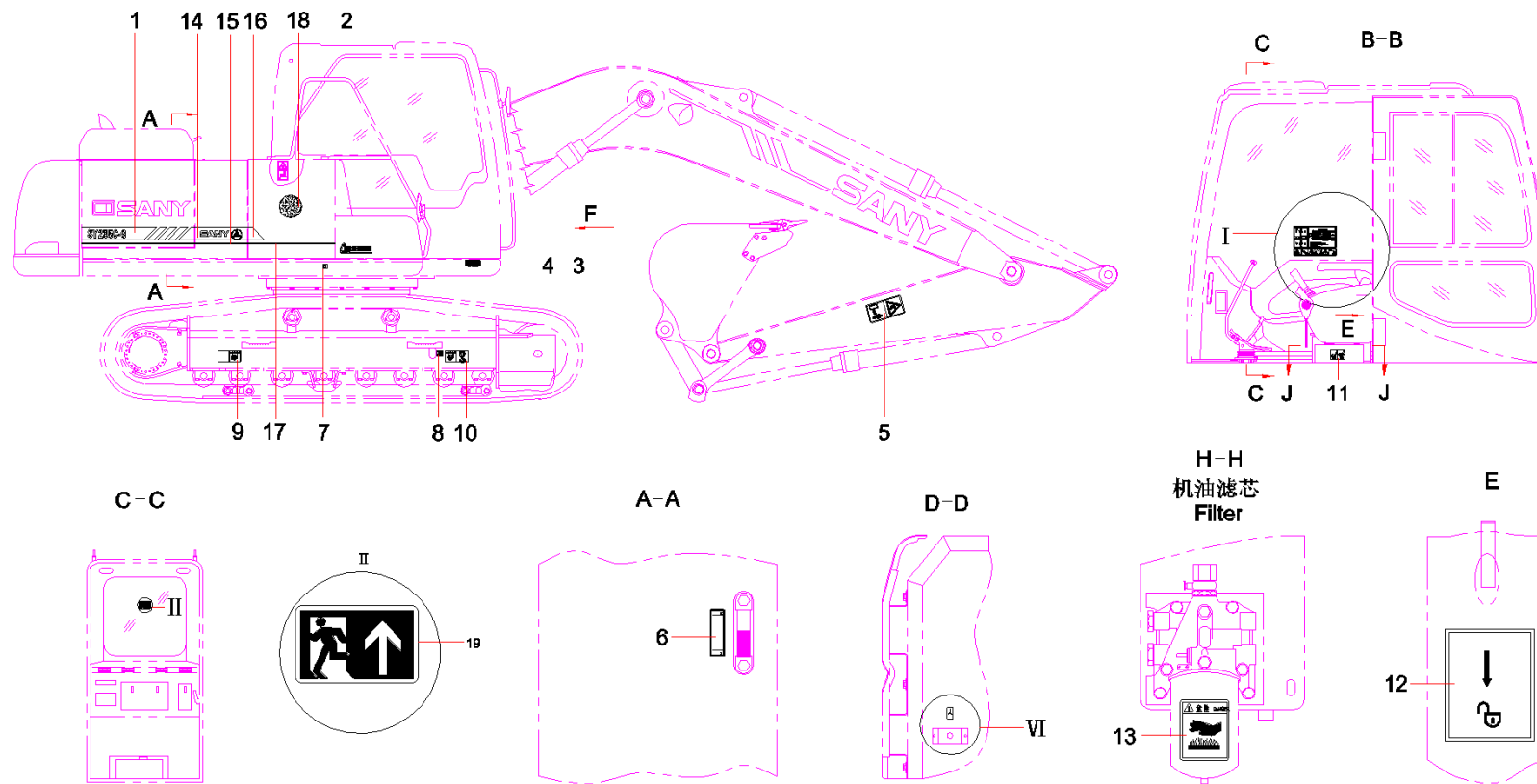


识别码 IC	序号 INDEX	零件代码 PART NUMBER	数量 QTY	名称 PART NAME	
4-7-1	1	12444727	1	车身线束	Harness, chassis
4-7-2	2	60149356	9	椭圆线夹	Clamp, wire, ellipse
4-7-3	3	60060300	1	天线延长线	Extension, antenna
4-7-4	4	A210111000195	10	螺栓	螺栓
4-7-5	5	A210405000011	10	垫圈	垫圈
4-7-6	6	60086353	12	线束固定夹	Clamp, harness
4-7-7	7	12339482	1	动臂灯线束	Harness, boom lamp
4-7-8	8	B241100000391	2	工作灯	Lamp, working
4-7-9	9	11888261	1	三一显示屏	Sany monitor
4-7-10	10	60053220	1	LED指示灯LAS3/24V 红	Lamp, indicator, LED, red
4-7-11	11	60053221	1	LED指示灯LAS3/24V 黄	Lamp, indicator, LED, yellow
4-7-12	12	60142265	1	旋钮开关	Dial, fuel control
4-7-13	13	11905146	1	控制开关线束	Harness, control switch
4-7-14	14	11905140	1	驾驶室线束	Harness, cab
4-7-15	15	A230200000170	3	线夹	Clip
4-7-16	16	A240500000113	1	收音机	Radio

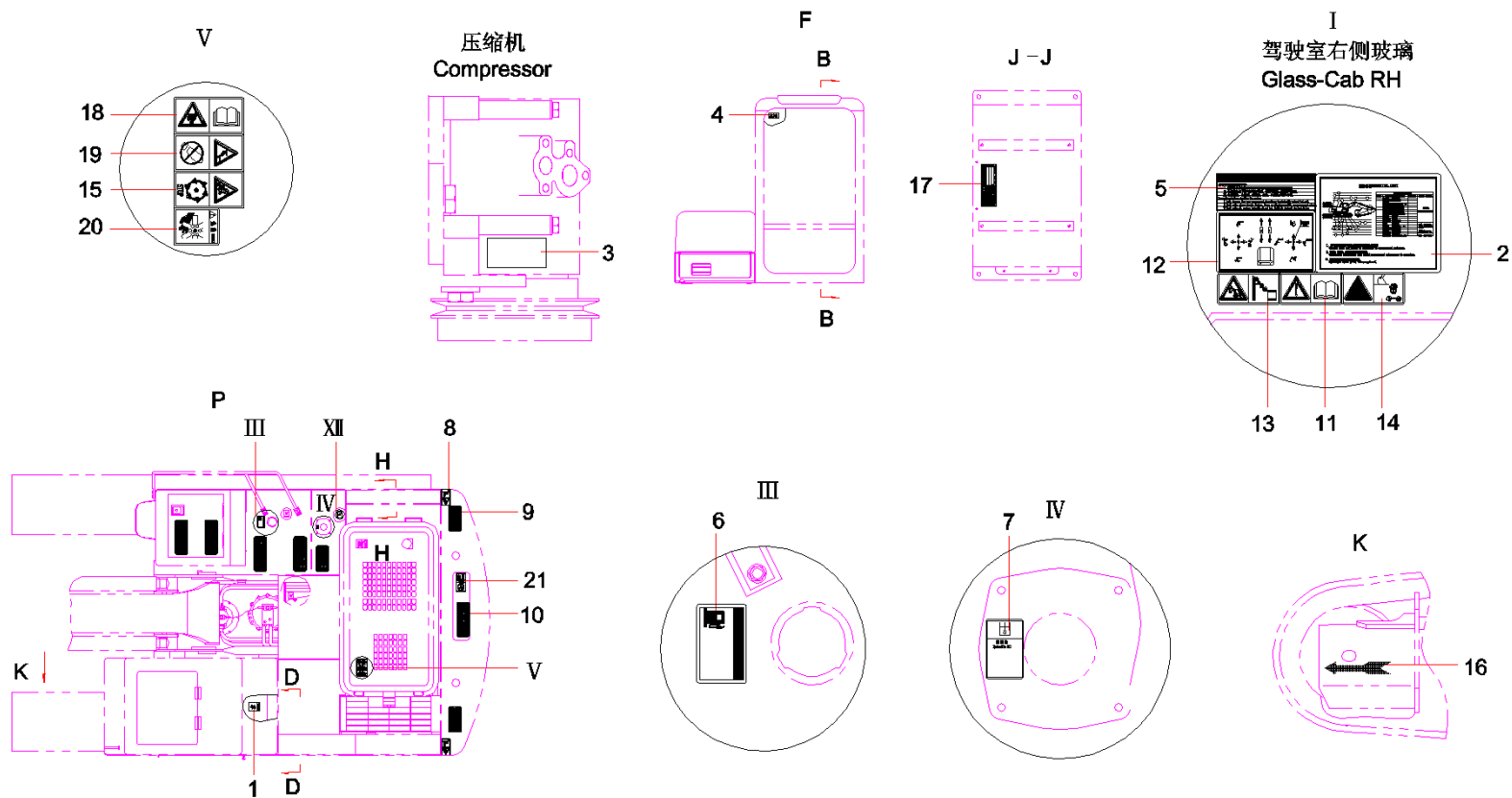
第5章
涂装
(CoatingSY235C9I2K(SKD)-TZ)



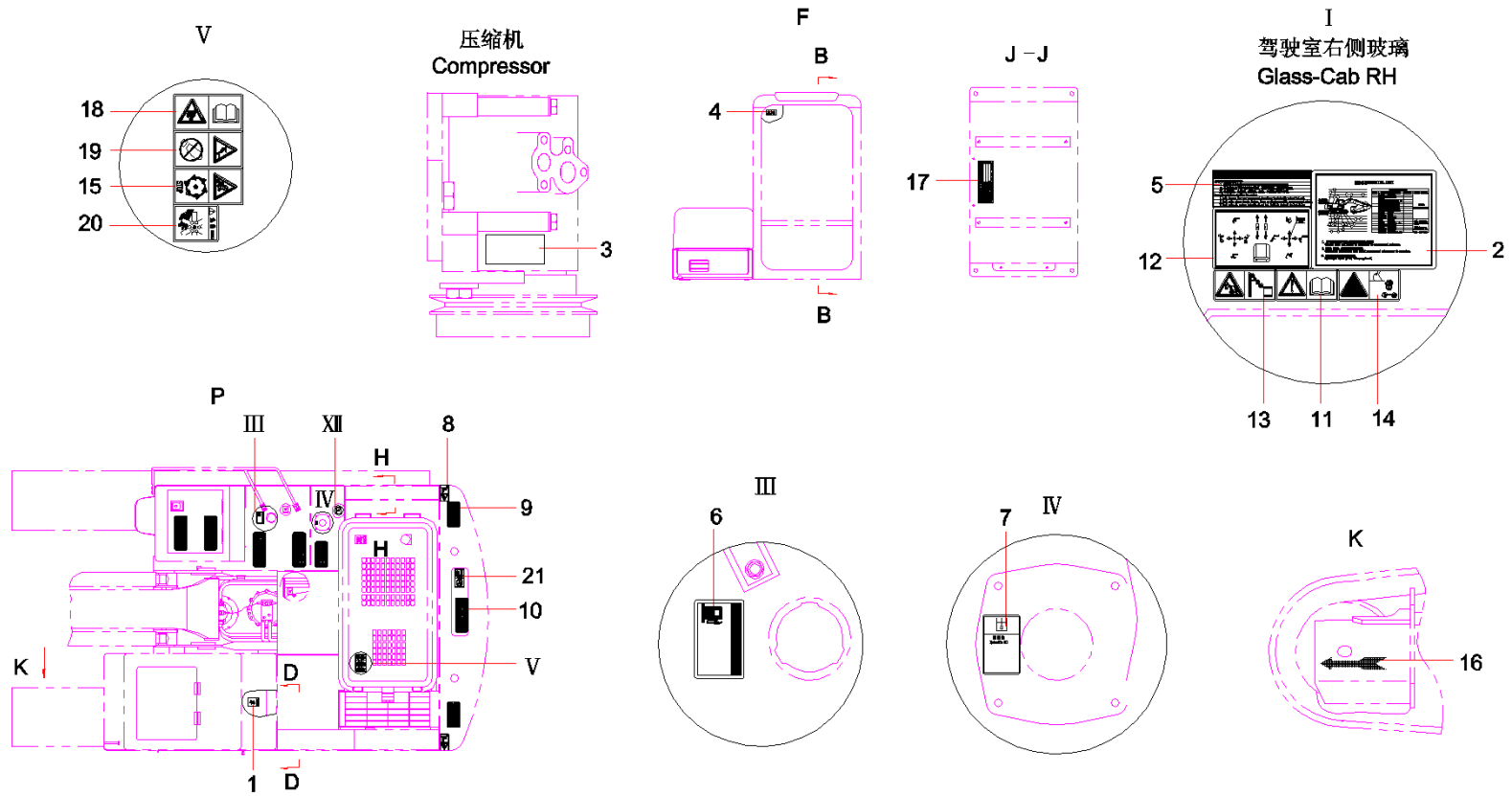
识别码 IC	序号 INDEX	零件代码 PART NUMBER	数量 QTY	名称 PART NAME	
5-3-1	1	A820699000786	1	配重贴花	Decal, counterweight
5-3-2	2	A820699001016	2	配重警示牌	Decal, warning, counterweight
5-3-3	3	10220816	1	机身左侧前部条贴花	Decal, left front, strip
5-3-4	4	11624276	1	配重反光膜	Film, reflective, counterweight
5-3-5	5	12403550	1	回转支承警示牌	Decal, warning, swing bearing
5-3-6	6	A820699000747	2	动臂贴花	Decal, boom
5-3-7	7	10220811	2	动臂两侧贴花	Decal, boom, side
5-3-8	8	10220831	1	机身左侧中部条贴花	Decal, left middle, strip
5-3-9	9	10220833	2	三一VI标志	Decal, SANY logo
5-3-10	10	10232562	2	机身三一贴花	Decal, sany logo
5-3-11	11	10220818	1	机身左侧前贴花	Decal, left front, machine body
5-3-12	12	A820601990929	1	油箱放水标识	Label, drain, fuel tank
5-3-13	13	A820601990962	1	油水分离器放水标识	Decal, drain, water separator
5-3-14	14	11624373	1	配重反光膜	Film, reflective, counterweight
5-3-15	15	A820603000251	1	配重文字	Decal, counterweight
5-3-16	16	10885642	2	机器型号贴花	Decal, machine model
5-3-17	17	10220815	1	机身左侧后贴花	Decal, left rear, machine body
5-3-18	18	A820699001109	1	电源插座标志	Label, power socket
5-3-19	19	A820601990972	1	电源标志	Label, power supply
5-3-20	20	10220817	2	机身右侧前部条贴花	Decal, right, front



识别码 IC	序号 INDEX	零件代码 PART NUMBER	数量 QTY	名称 PART NAME	
5-5-1	1	10220820	1	机身右侧后贴花	Decal, right, rear
5-5-2	2	60119518	1	服务热线贴花	Decal, service hotline
5-5-3	3	10251978	1	铭牌	Nameplate
5-5-4	4	A210510000007	4	铆钉	RIVET
5-5-5	5	A820601990963	2	斗杆警示牌	Decal, warning, arm
5-5-6	6	A820601990928	1	油位标签	Label, oil level
5-5-7	7	12033801	2	重心标牌	Decal, center of gravity
5-5-8	8	A820601990968	2	张紧装置警示牌	Decal, warning, tensioner
5-5-9	9	A820601990934	4	装运固定点标志	Decal, tie-down, shipment
5-5-10	10	A820101990552	4	吊钩点标示图	Diagram, hoisting points
5-5-11	11	A820601990967	1	座椅调节指示牌	Decal, instruction, seat adjustment
5-5-12	12	A820601990927	1	开锁标识牌	Label, UNLOCK
5-5-13	13	A820101050798	1	烫手警示标牌	Mark, warning, hand burning
5-5-14	14	10220832	1	机身右侧中贴花	Decal, right, middle
5-5-15	15	10220819	1	机身右侧中部条贴花	Decal, right middle, strip
5-5-16	16	10220830	1	机身右侧前贴花	Decal, right, front
5-5-17	17	10220814	1	机身侧后部条状贴花	Decal, strip, side rear
5-5-18	18	A290000003291	1	省油王标识	Decal, fuel-saving
5-5-19	19	A820601990969	1	安全出口标志	Label, emergency exit

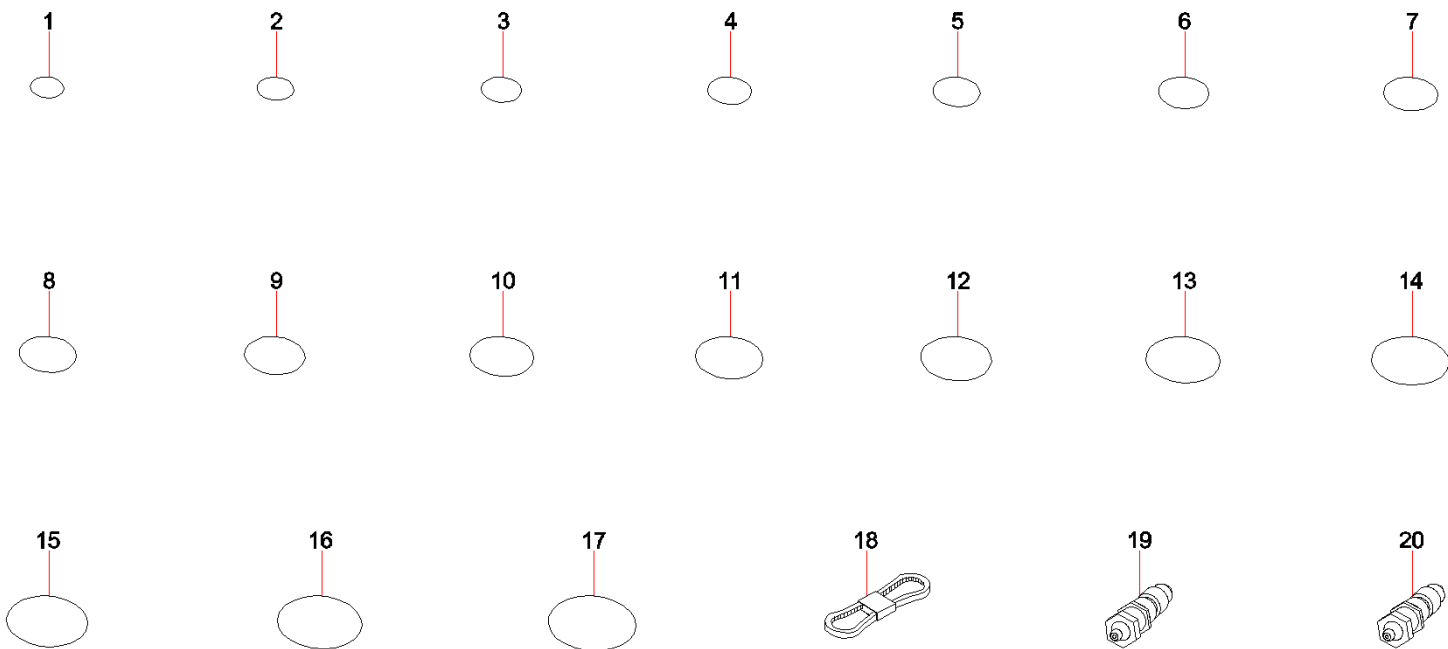


识别码 IC	序号 INDEX	零件代码 PART NUMBER	数量 QTY	名称 PART NAME	
5-7-1	1	11323371	1	严禁坐人警示牌	Decal, warning, no-sitting
5-7-2	2	11464411	1	润滑图表	Graph, lubrication
5-7-3	3	A820699001284	1	冷媒更换说明	Decal, instruction, refrigerant
5-7-4	4	A820699001019	1	前窗锁紧警示牌	Decal, warning, front window
5-7-5	5	11648786	1	启动发动机前注意事项标识牌	Decal, warning, pre-start
5-7-6	6	A820601990965	1	燃油箱标识牌	Decal, fuel tank
5-7-7	7	A820603000253	1	液压油箱指示牌	Label, instruction, hydraulic tank
5-7-8	8	A820601990926	3	防跌落警示牌	Decal, warning, falling
5-7-9	9	A820699000370	3	短防滑贴	Anti-skid, short
5-7-10	10	A820699000369	7	长防滑贴	Anti-skid, long
5-7-11	11	11464425	1	查阅说明书警示牌	Label, warning, read manual
5-7-12	12	A820601990961	1	操纵标示图	Label, instruction, operation
5-7-13	13	11464432	1	高压回避警示牌	Decal, warning, high-voltage
5-7-14	14	11464441	1	钥匙断电警示牌	Decal, warning, power-off
5-7-15	15	A820699001017	1	皮带安全警示牌	Decal, warning, belt safety
5-7-16	16	12057746	2	前进方向标志	Decal, instruction, forward
5-7-17	17	11993325	1	铭牌	Nameplate
5-7-18	18	A820699000948	1	防喷溅警示牌	Decal, warning, anti-spray
5-7-19	19	A820601990973	1	机顶罩警示牌	Decal, warning, engine hood
5-7-20	20	A820101050793	1	风扇打手警示牌	Mark, warning, "Hand injury by fan"

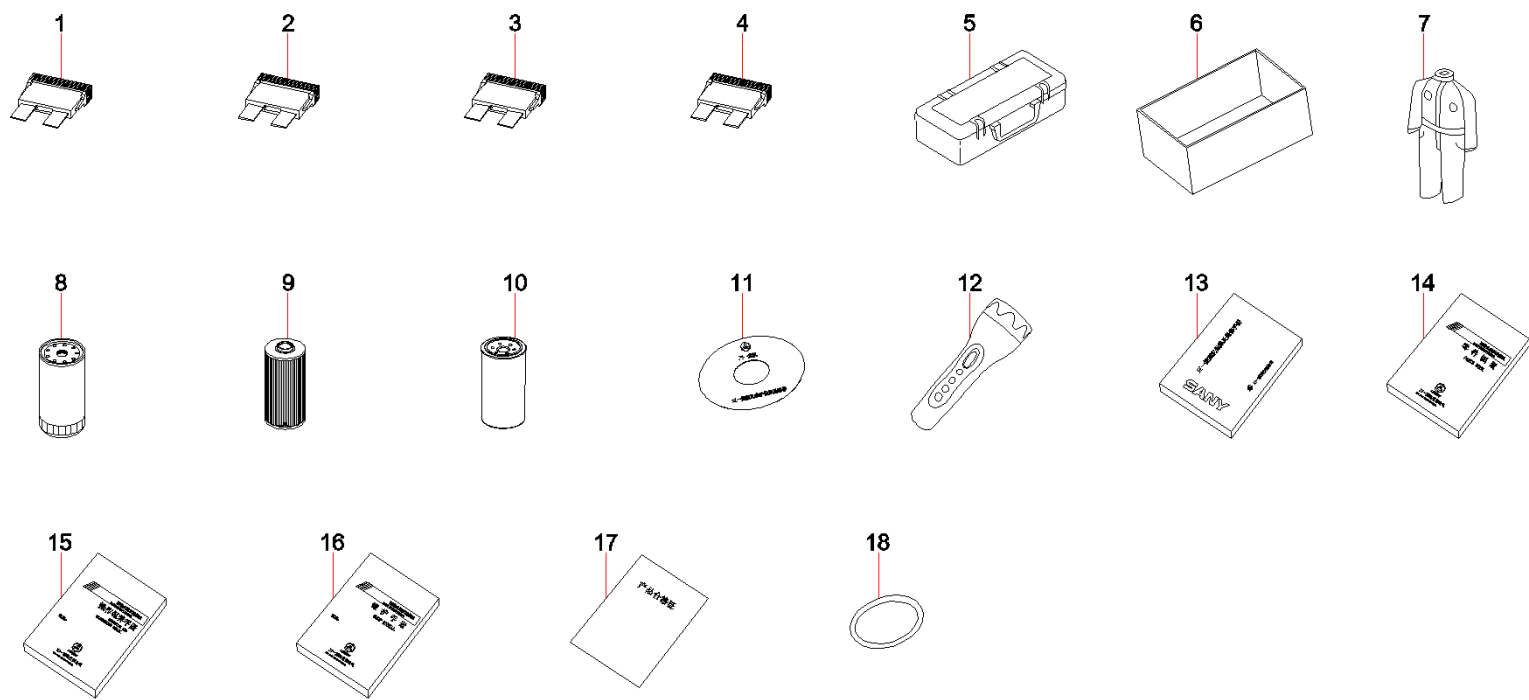


识别码 IC	序号 INDEX	零件代码 PART NUMBER	数量 QTY	名称 PART NAME
5-9-21	21	12728493	1	严禁脚踏排气提示 forbidden stepping the priming

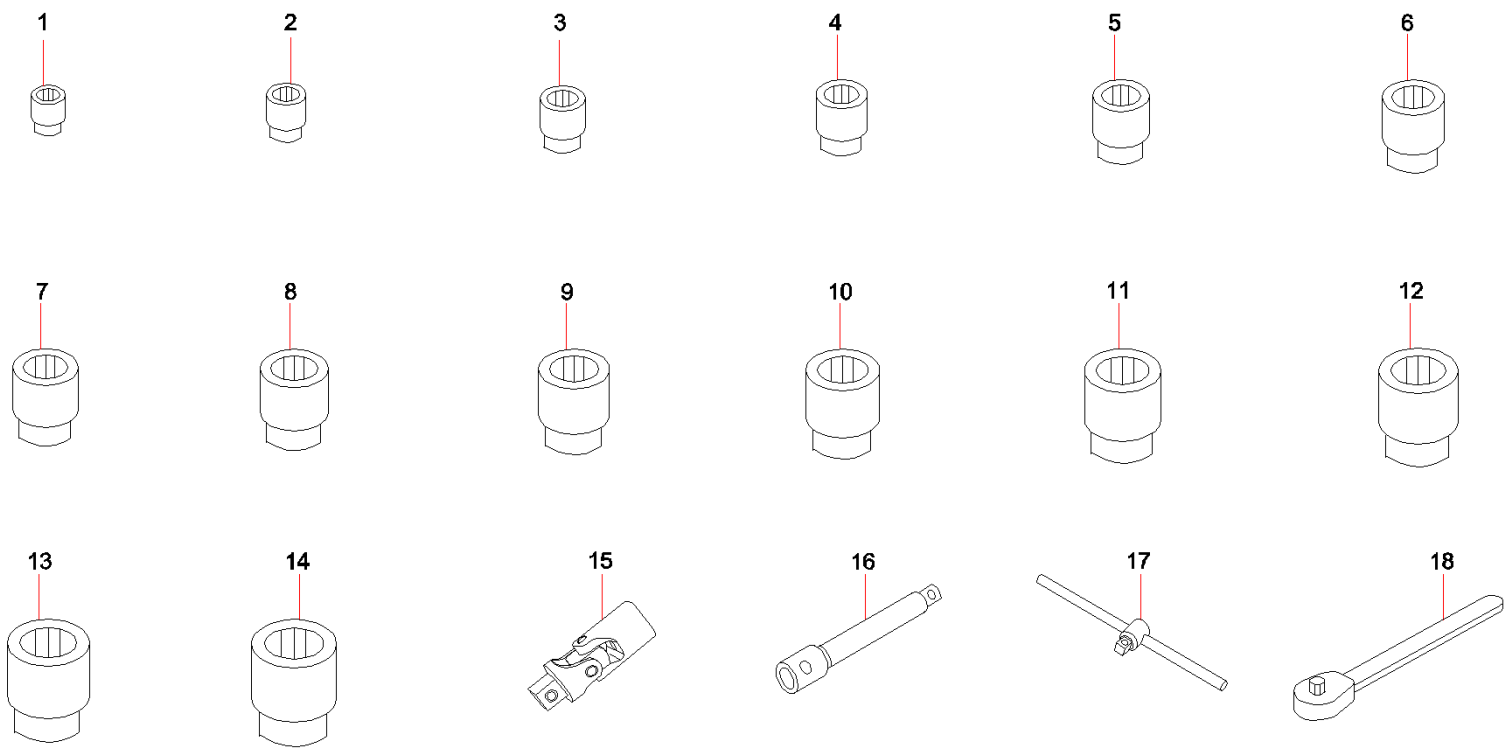
第6章
随机附件
(Attached accessories SY235C9I2K(SKD).6A)



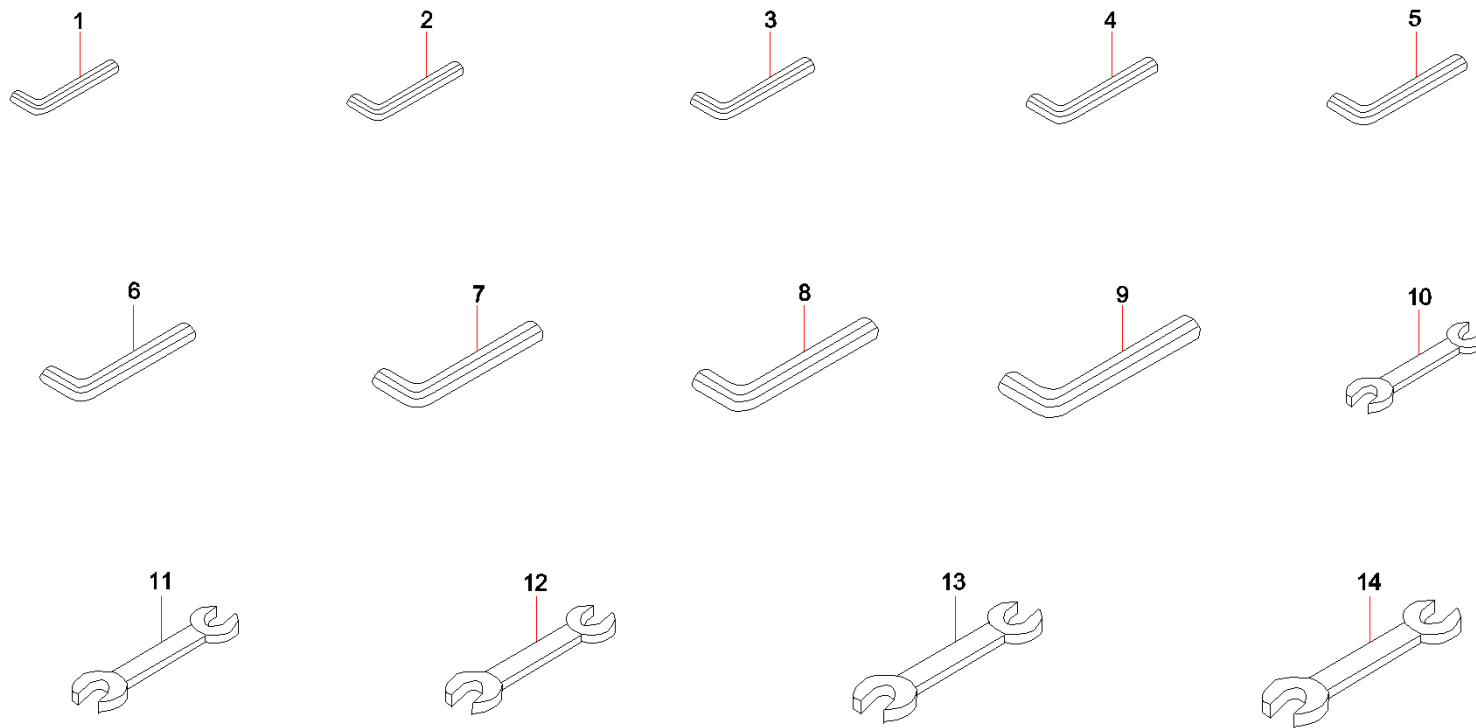
识别码 IC	序号 INDEX	零件代码 PART NUMBER	数量 QTY	名称 PART NAME	
6-3-1	1	B230101000047	5	O形圈	O-ring
6-3-2	2	A230101000247	5	O形圈	O-ring
6-3-3	3	B230101000049	5	O形圈	O-ring
6-3-4	4	A230101000243	5	O形圈	O-ring
6-3-5	5	B230101000090	5	O形圈	O-ring
6-3-6	6	A229900001581	5	O形圈	O-ring
6-3-7	7	B230101000356	10	O形圈	O-ring
6-3-8	8	B230101000580	5	O形圈	O-ring
6-3-9	9	B230101000050	5	O形圈	O-ring
6-3-10	10	A210609000136	5	O形圈	O-ring
6-3-11	11	A210609000142	2	O形圈	O-ring
6-3-12	12	B230101000215	5	O形圈	O-ring
6-3-13	13	B230101000456	5	O形圈	O-ring
6-3-14	14	B230101000444	5	O形圈	O-ring
6-3-15	15	B230101000244	5	O形圈	O-ring
6-3-16	16	B230101000038	2	O形圈	O-ring
6-3-17	17	A210608000108	2	O形圈	O-ring
6-3-18	18	B230106000075	1	V带	V-belt
6-3-19	19	B229900000379	5	黄油嘴	Fitting, grease
6-3-20	20	B229900000686	5	黄油嘴	黄油嘴



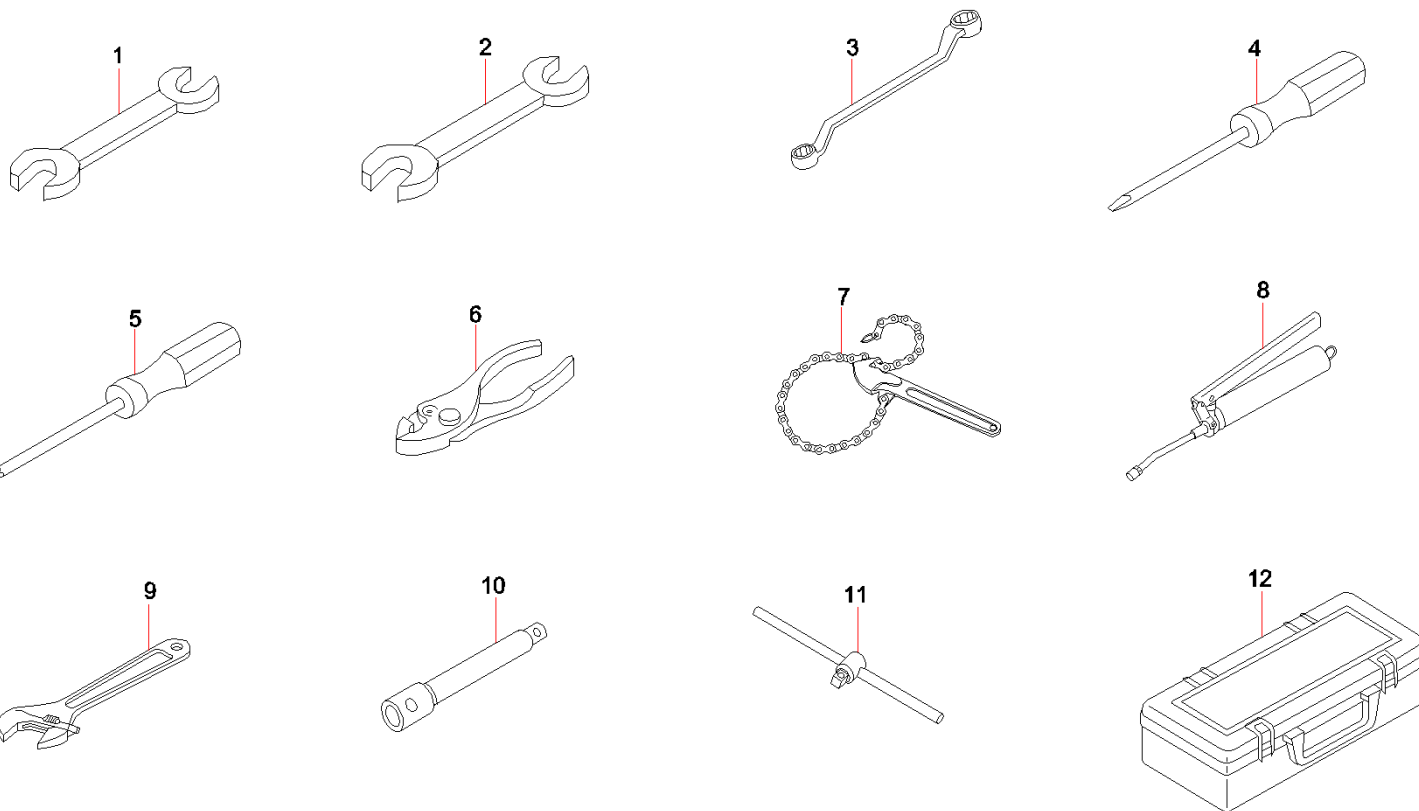
识别码 IC	序号 INDEX	零件代码 PART NUMBER	数量 QTY	名称 PART NAME	
6-5-1	1	A241300000016	10	熔断器	Fuse
6-5-2	2	A241300000017	5	熔断器15-20.25A 国产	Fuse
6-5-3	3	A241300000018	5	熔断器20-27A 国产	Fuse
6-5-4	4	A241300000019	10	熔断器5-6.7 国产	Fuse
6-5-5	5	10442741	1	随机工具	Tool, attached
6-5-6	6	60041997	1	随机附件箱	Box, accessory
6-5-7	7	A550300000008	1	工作服 售后人员用	Suit, working, service worker
6-5-8	8	B222100000488	1	机油滤清器	Filter, engine oil
6-5-9	9	60201220	1	燃油粗滤芯	Fuel Strainer Element
6-5-10	10	B222100000510	1	柴油滤清器	Filter, fuel
6-5-11	11	11826364	1	挖掘机保养光碟(英)	CD, excavator maintenance
6-5-12	12	A241100000596	1	手提工作灯	Work lamp, portable
6-5-13	13	11826337	1	三一挖掘机保养及保修手册(英)	Manual, operation and
6-5-14	14	11587082	1	零部件图册	Parts Boom
6-5-15	15	12265744	1	挖掘机操作保养手册(英)	Manual, operation and
6-5-16	16	60042678	1	维护手册	Maintenance Manual
6-5-17	17	59000039	1	产品合格证	Certificate, product quality
6-5-18	18	A229900005005	1	钥匙扣	Catch, lock



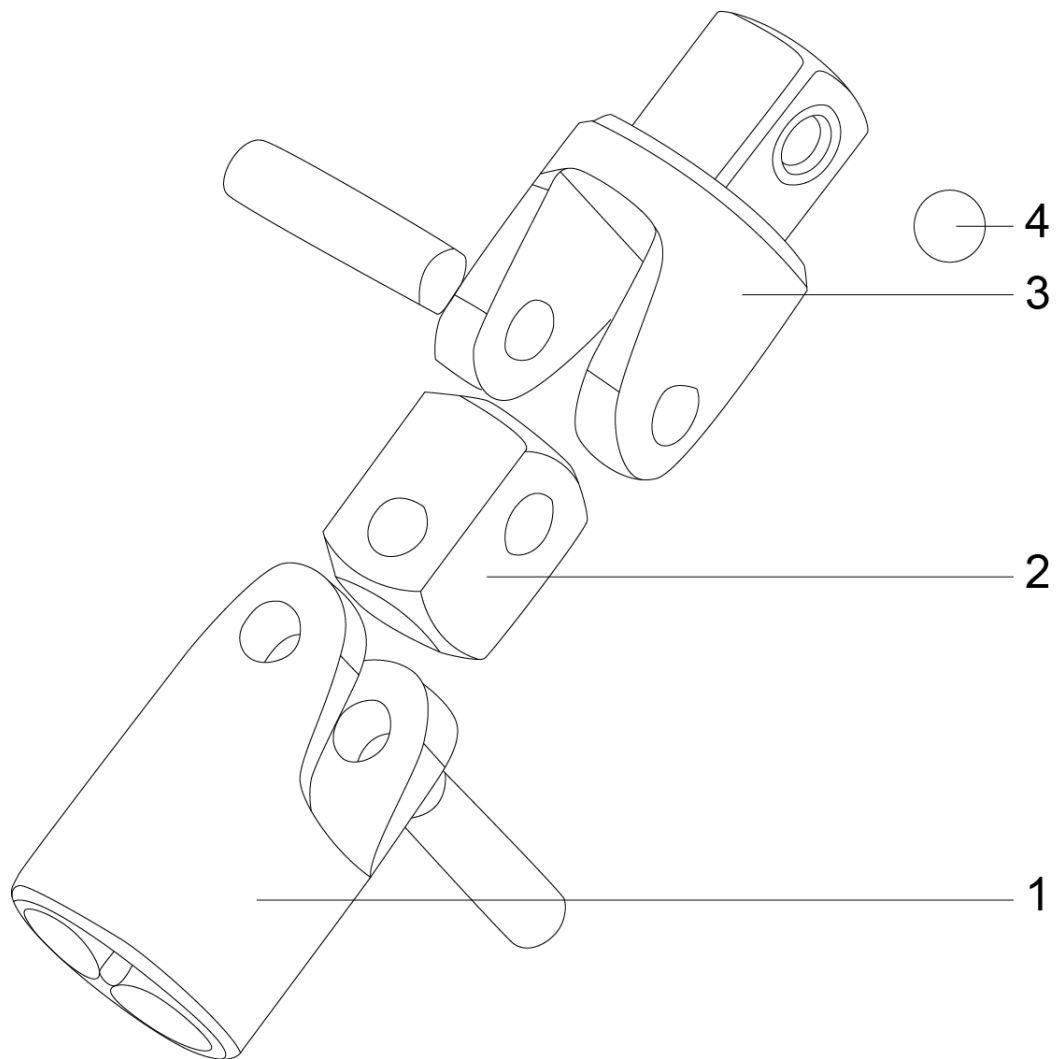
识别码 IC	序号 INDEX	零件代码 PART NUMBER	数量 QTY	名称 PART NAME	
6-7-1	1	A260401010023	1	套筒	Socket
6-7-2	2	A260401010063	1	套筒	Socket
6-7-3	3	A260401010024	1	套筒	Socket
6-7-4	4	A260401010095	1	套筒	Socket
6-7-5	5	A260401010025	1	套筒	Socket
6-7-6	6	A260401010077	1	套筒	Socket
6-7-7	7	60001295	1	套筒	Socket
6-7-8	8	A260401010081	1	套筒	Socket
6-7-9	9	A260401010027	1	套筒	Socket
6-7-10	10	A260401010078	1	套筒	Socket
6-7-11	11	A260401010051	1	套筒	Socket
6-7-12	12	A260401010031	1	套筒	Socket
6-7-13	13	A260401010055	1	套筒	Socket
6-7-14	14	A260401010057	1	套筒	Socket
6-7-15	15	A229900007607	1	万向接头	Joint, universal
6-7-16	16	A260401010065	1	接杆	Rod, extension
6-7-17	17	60001293	1	滑行头手柄	Handgrip
6-7-18	18	A260401090010	1	可逆式棘轮扳手	Wrench, ratchet, reversible



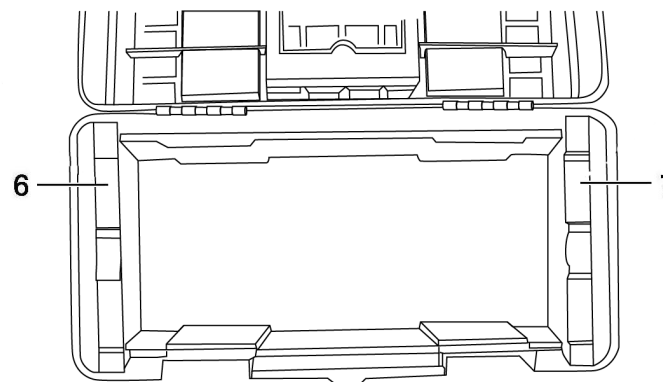
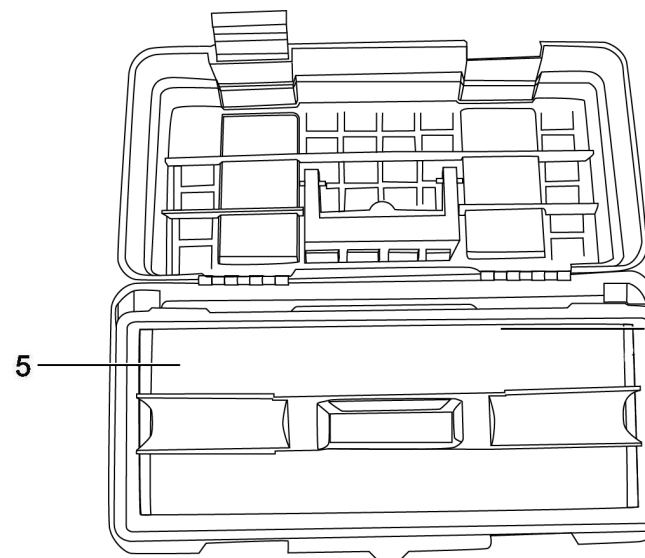
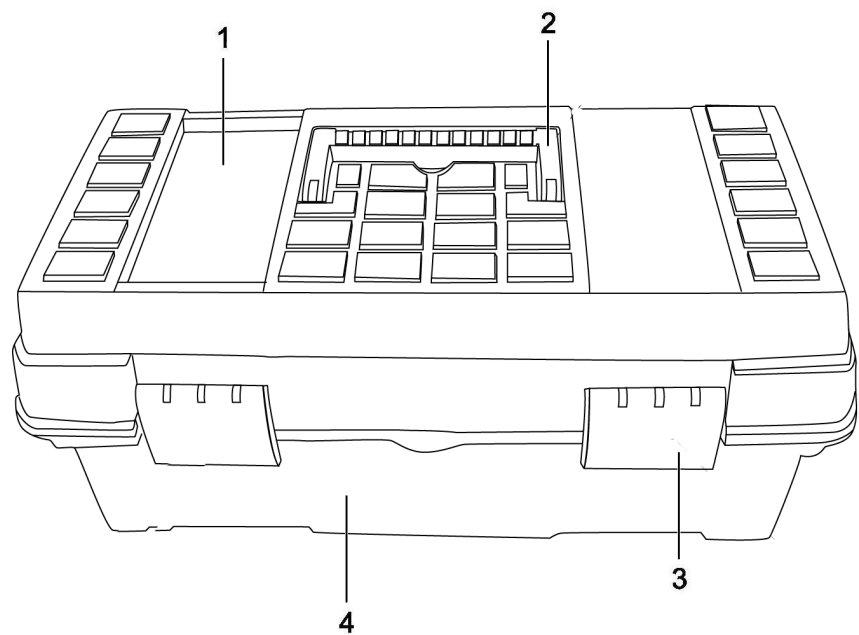
识别码 IC	序号 INDEX	零件代码 PART NUMBER	数量 QTY	名称 PART NAME	
6-9-1	1	A260401020014	1	内六角扳手	Wrench, hexagon, inner
6-9-2	2	A260401020015	1	内六角扳手	Wrench, hexagon, inner
6-9-3	3	A260401020008	1	内六角扳手	Wrench, hexagon, inner
6-9-4	4	A260401020009	1	内六角扳手	Wrench, hexagon, inner
6-9-5	5	A260401020010	1	内六角扳手	Wrench, hexagon, inner
6-9-6	6	A260401020011	1	内六角扳手	Wrench, hexagon, inner
6-9-7	7	A260401020004	1	内六角扳手	Wrench, hexagon, inner
6-9-8	8	B260401020048	1	内六角扳手	Wrench, hexagon, inner
6-9-9	9	B260401020049	1	内六角扳手	Wrench, hexagon, inner
6-9-10	10	A260401030002	1	双头呆扳手	Spanner
6-9-11	11	A260401030001	1	双头呆扳手	Spanner
6-9-12	12	A260401030027	1	双头呆扳手	Spanner
6-9-13	13	A260401030005	1	双头呆扳手	Spanner, double-ended
6-9-14	14	A260401030029	1	双头呆扳手	Spanner



识别码 IC	序号 INDEX	零件代码 PART NUMBER	数量 QTY	名称 PART NAME	
6-11-1	1	A260401030007	1	双头呆扳手	Spanner
6-11-2	2	A260401030008	1	双头呆扳手	Spanner
6-11-3	3	A260401030100	1	双头梅花扳手	Wrench – Box
6-11-4	4	A260402010022	1	一字槽螺钉旋具	Rotator, screw, slot
6-11-5	5	A260402020026	1	十字槽螺钉旋具	Rotator, screw, cross slot
6-11-6	6	A260404000002	1	钢丝钳	Cutter, wire
6-11-7	7	60001296	1	链条扳手20节	Wrench
6-11-8	8	B260409000015	1	高压黄油枪	Gun, grease, high pressure
6-11-9	9	A260401040004	1	活扳手	Spanner, adjustable
6-11-10	10	A260401010021	1	接杆	Rod, extension
6-11-11	11	60001294	1	滑行头手柄	Handgrip
6-11-12	12	A290000000155	1	手提工具箱	Toolbox, portable

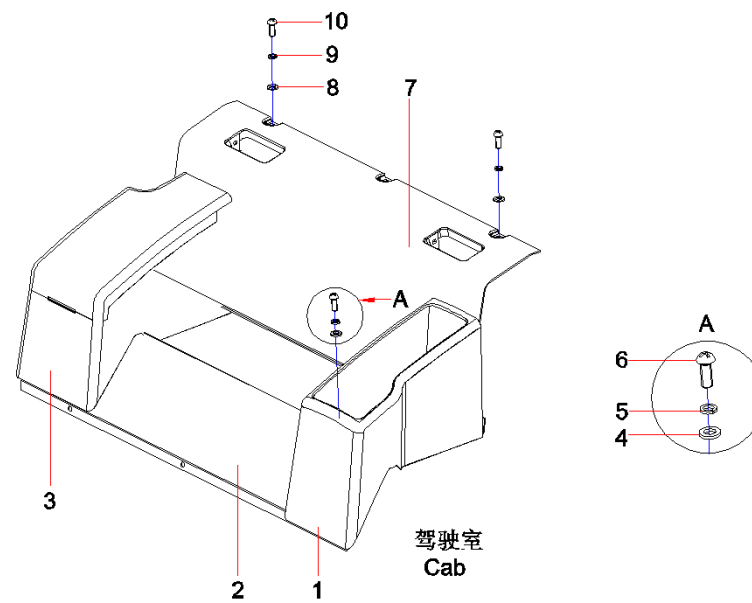


识别码 IC	序号 INDEX	零件代码 PART NUMBER	数量 QTY	名称 PART NAME	
6-13-1	1	60153627	1	金属件	Metalwork
6-13-2	2	60153628	1	金属件	Metalwork
6-13-3	3	60153629	1	金属件	Metalwork
6-13-4	4	60153630	1	金属球	Metal ball

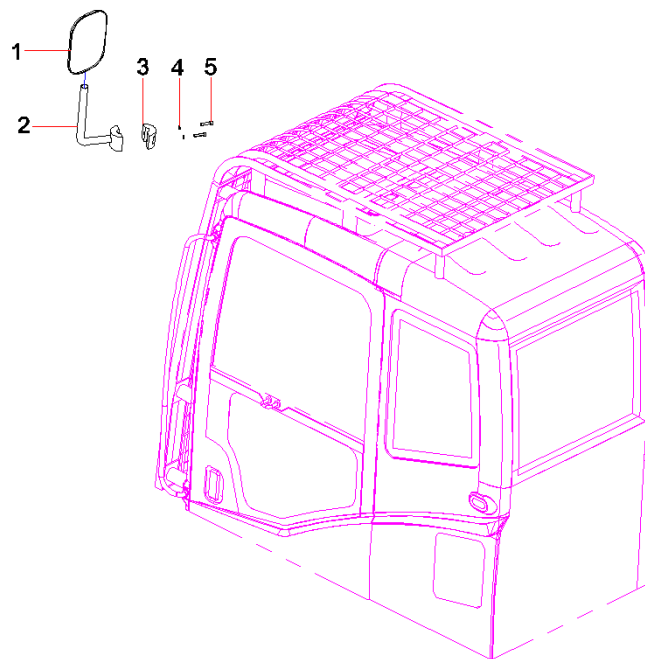


识别码 IC	序号 INDEX	零件代码 PART NUMBER	数量 QTY	名称 PART NAME	
6-15-1	1	60153777	1	上盖	Cover, upper
6-15-2	2	60153697	1	把手	Handle
6-15-3	3	60153693	2	锁扣	Lock catch
6-15-4	4	60153713	1	底座	Base
6-15-5	5	60153827	1	托盘	Pallet
6-15-6	6	60153665	1	左架	Support, left
6-15-7	7	60153654	1	右架	Support, right

第7章 其他配置 (Other Fittings)

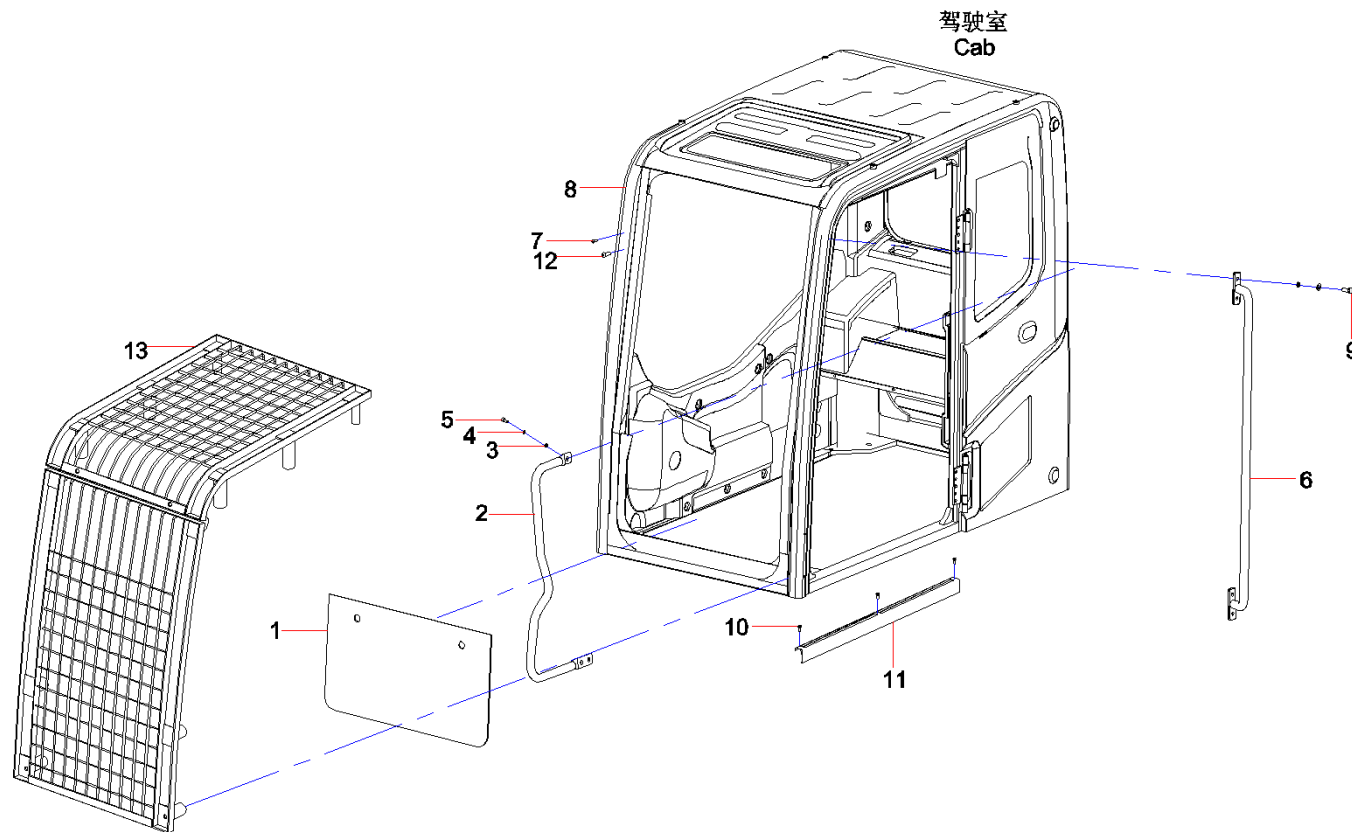


识别码 IC	序号 INDEX	零件代码 PART NUMBER	数量 QTY	名称 PART NAME	
7-3-1	1	60071737	1	大杂物盒	Box, storage
7-3-2	2	60071764	1	空调盖板	Coverplate, air conditioner
7-3-3	3	60117405	1	保鲜盒	Box, beverage
7-3-4	4	A210401000016	36	垫圈	Washer
7-3-5	5	A210405000006	36	垫圈	Washer
7-3-6	6	A210210000010	16	螺钉	BOLT
7-3-7	7	60071739	1	后围装饰件	Trim, back wall
7-3-8	8	A210405000011	6	垫圈	垫圈
7-3-9	9	A210401000001	6	垫圈	垫圈
7-3-10	10	A210204000161	2	螺钉	BOLT

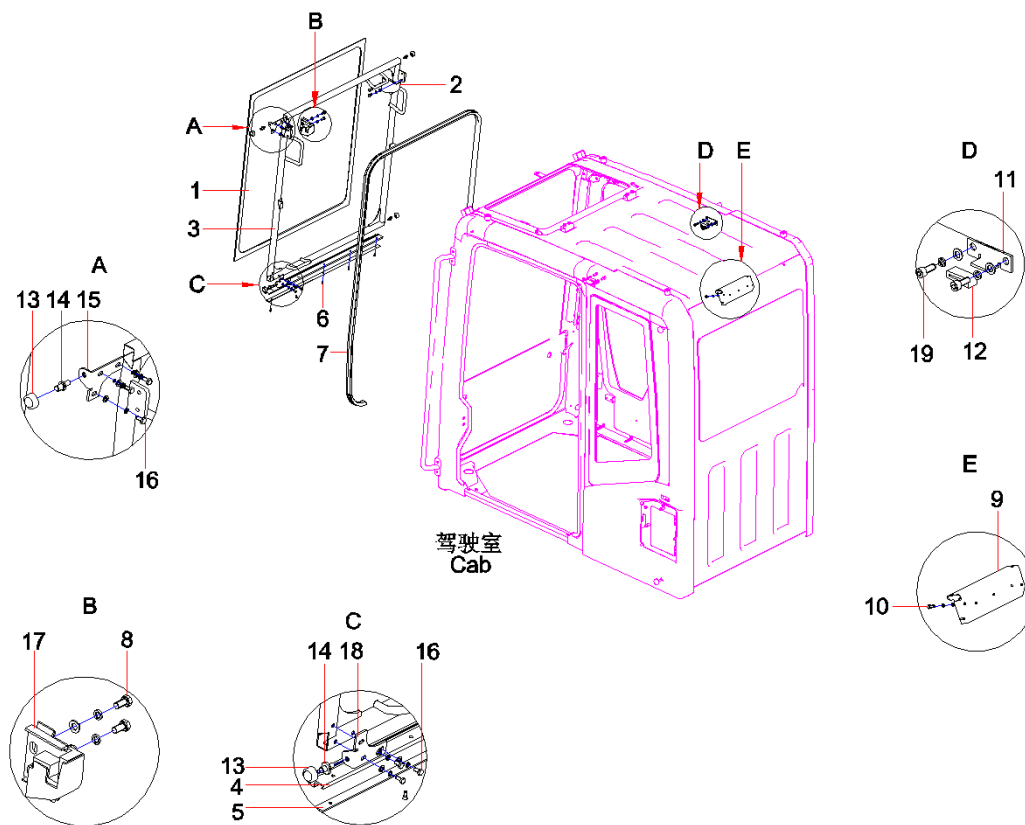


驾驶室
Cab

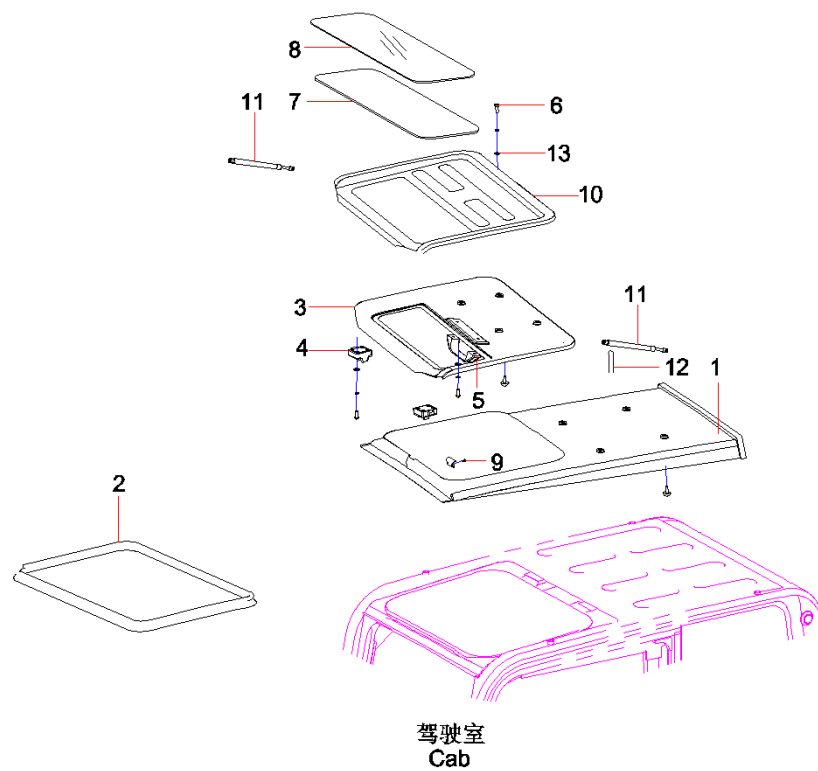
识别码 IC	序号 INDEX	零件代码 PART NUMBER	数量 QTY	名称 PART NAME	
7-5-1	1	60117411	1	后视镜总成	Bracket, rear view mirror
7-5-2	2	60117407	1	手把	Handle, grip
7-5-3	3	60117409	1	卡座	Seat
7-5-4	4	A210401000017	18	垫圈	Washer
7-5-5	5	A210204000320	2	螺钉	Screw



识别码 IC	序号 INDEX	零件代码 PART NUMBER	数量 QTY	名称 PART NAME	
7-7-1	1	60071790	1	前下玻璃	Glass, lower, front
7-7-2	2	60071771	1	上车拉手	Handhold
7-7-3	3	A210405000001	3	垫圈	Washer
7-7-4	4	A210401000002	3	垫圈	Washer
7-7-5	5	A210111000037	3	螺栓	BOLT
7-7-6	6	60071775	1	外扶手	Handhold, outer
7-7-7	7	10473290	5	塑料螺钉	Screw, plastic
7-7-8	8	10473271	2	线束密封块	Block, sealing, harness
7-7-9	9	A210111000018	4	螺栓	Bolt
7-7-10	10	A210211000007	7	螺钉	Screw
7-7-11	11	60071766	1	门坎装饰条	Trim, cab door sill
7-7-12	12	10473291	8	塑料螺钉	Screw, plastic
7-7-13	13	A229900009242	1	驾驶室护网	Guard, Cab



识别码 IC	序号 INDEX	零件代码 PART NUMBER	数量 QTY	名称 PART NAME	
7-9-1	1	60071791	1	前移窗玻璃	Glass, window, forward moving
7-9-2	2	60071758	1	前移窗锁	Lock, window, forward window
7-9-3	3	60071743	1	前移窗焊接总成	Welding AS, window, forward
7-9-4	4	60071785	1	前移窗下密封胶条	Tape, lower sealing, forward
7-9-5	5	60117406	1	前窗下固定条	Strip, retaining, front window lower
7-9-6	6	A210211000025	5	螺钉	Screw
7-9-7	7	60071784	1	前移窗密封胶条	Tape, sealing, forward moving
7-9-8	8	A210111000342	12	螺栓	Bolt
7-9-9	9	A229900008232	1	弹簧平衡器	Balancer, spring
7-9-10	10	A210204000130	4	螺钉	BOLT
7-9-11	11	10138033	2	前窗固定块	Block, position, front window
7-9-12	12	10128901	2	缓冲块	Block, buffer
7-9-13	13	10137713	4	前窗左侧滚轮	Roller, left, front window
7-9-14	14	10137704	4	前窗左上转轴	Pivot, upper left, front window
7-9-15	15	10137698	1	前窗上滚轮支架总成	Bracket AS, upper roller, front
7-9-16	16	A210111000389	6	螺栓	Bolt
7-9-17	17	60071757	1	前移窗锁	Lock, window, forward window
7-9-18	18	10137702	1	前窗下滚轮支架总成	Bracket AS, lower roller, front
7-9-19	19	A210204000458	8	螺钉	Screw



识别码 IC	序号 INDEX	零件代码 PART NUMBER	数量 QTY	名称 PART NAME	
7-11-1	1	60071760	1	顶内饰	Trim, top
7-11-2	2	60071786	1	天窗密封胶条	Strip, sealing, roof window
7-11-3	3	60071774	1	天窗装饰件	Trim, roof window
7-11-4	4	A222200000153	2	天窗锁总成	Lock AS, roof window
7-11-5	5	60001290	1	塑料把手	Handhold, plastic
7-11-6	6	A210111000089	4	螺栓	Bolt
7-11-7	7	60044187	1	双面海绵条	Strip, sponge, double-sided
7-11-8	8	60071787	1	顶天窗玻璃	Glass, roof window
7-11-9	9	10138038	2	天窗锁扣	Lock catch, roof window
7-11-10	10	60071772	1	天窗焊合总成	Welding AS, roof window
7-11-11	11	60071773	2	天窗气弹簧	Spring, air, roof window
7-11-12	12	A210501000019	4	销	Pin
7-11-13	13	A210405000007	4	垫圈	Washer

识别码 IC	序号 INDEX	零件代码 PART NUMBER	数量 QTY	名称 PART NAME	
7-12-1	1	60105333	1	胶管	Hose,rubber
7-12-2	2	60113172	1	胶管	Hose,rubber
7-12-3	3	11437308	1	斗杆	ArmSY235C.3.3E
7-12-4	4	12721191	1	履带架支架	track frame bracketSY235.SKD.1
7-12-5	5	12720764	1	上车支架	uppercarriage bracket
7-12-6	6	12721211	1	履带平台	track platformSY235.SKD.3